

Models 2700/2701/2705 Stand-Alone Strobes & Strobe Plate

Features

- Same low current draw for DC or FWR
- Units available with 15/75, 30/75, 60/75, 75 or 110 candela strobes
- Weatherproof units available with 68 or 100 candela strobes
- 120 Vac, non-synchronized versions
- 24 Vdc/FWR non-synchronized or synchronized strobes
- Universal mounting plate - single gang, double gang or 4" square box (Model 2700)
- Meets ADA guidelines
- Models 2700 & 2701, UL 1971 listed for both wall and ceiling mount and Model 2705, UL 1638 listed for outdoor applications. CSFM, City of Chicago ULC and MEA approvals, FM pending
- Made in U.S.A.
- Synchronized strobes require 5406 Sync Control Module



Description

The **2700/2701/2705** strobes combine state of the art electronics to provide reliability and low current draw to meet visual life safety applications.

The strobes are constructed of light durable plastic and are available in two colors: red or off-white. The units design provides for easy installation with single gang, double gang or 4" square box mounting. The lens construction provides high candela output with a very low current consumption while meeting UL and ADA standards.

The 2701 units comes with the same strobe choices and is constructed of metal for mounting bell or chime devices to the plate.

The 2705 is used with either the 3014 or 3015 weatherproof back box for weatherproof applications.

The 2700/2701/2705 use a Xenon flashtube with solid state circuitry for maximum reliability and efficiency. Strobes have a rounded dome shape made of clear polycarbonate and "FIRE" letters are visible on the strobe housing. The overall lens is 2.0" x 2-7/8" with a height of 1-3/8".

2700 & 2705 versions use a terminal block which will accept 12 awg wire for easy installation and the 2701 uses a pigtail (4 wire) connection.

Engineering Specifications

Notification device shall be a Faraday Model 2700/2701 listed to standard UL 1971 for indoor hearing impaired applications. Strobe shall be wired as a Primary Signaling Notification Appliance. Strobe shall also comply with the Americans with Disabilities Act (ADA) requirements for visible signaling appliances. 2705 weatherproof strobes shall be UL 1638 listed for outdoor applications. Strobe shall operate on 24 Vdc from a regulated DC supply or full-wave rectified, unfiltered supply. (There shall be no change in current consumption for different power supplies).

The signaling strobe shall be powered from a non-coded power supply when powered with the horn or independently. Visual signaling devices are to be installed per plans and specifications. The strobe light shall consist of a xenon flash tube and associated lens with flash system. 2700 strobes shall be capable of mounting to a 1, 2 Gang or 4" square backbox, 2701 strobes shall be mounted to a 4" square backbox and 2705 strobes mount to a weatherproof 4" square backbox (3014 or 3015 backbox).

2700 Specifications

Environmental

32°F to 120°F (0°C to 49°C) at 85% RH

Input Voltage

20-31 Vdc regulated or FWR and 120 Vac

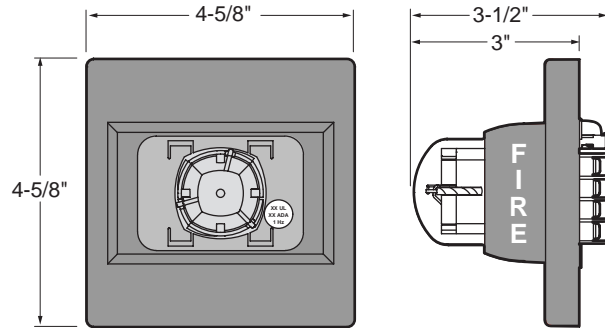
Mounting

Integral universal mounting plate mounts to single gang, double gang or 4" square box. Screw terminals accept 12 awg wire

Shipping Weight

9 oz. approx.

2700 Physical Dimensions



2700 Ordering Information

Stand-Alone Strobes

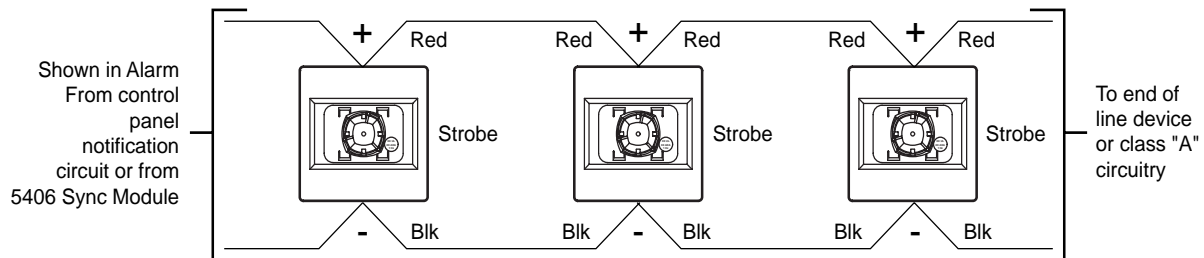
Part No.	Voltage	Candela	Strobe Current
24 Vdc, Synchronized –			
2700B-M-(*)-24-DC	20-31 Vdc	M-15/75 cd	59 mA
2700B-R-(*)-24-DC	20-31 Vdc	R-30/75 cd	88 mA
2700B-T-(*)-24-DC	20-31 Vdc	T-60/75 cd	154 mA
2700B-Y-(*)-24-DC	20-31 Vdc	Y-75 cd	170 mA
2700B-Z-(*)-24-DC	20-31 Vdc	Z-110 cd	249 mA
24 Vdc, Non-synchronized –			
2700B-E-(*)-24-DC	20-31 Vdc	E-15/75 cd	59 mA
2700B-G-(*)-24-DC	20-31 Vdc	G-30/75 cd	89 mA
2700B-J-(*)-24-DC	20-31 Vdc	J-60/75 cd	155 mA
2700B-K-(*)-24-DC	20-31 Vdc	K-75 cd	164 mA
2700B-L-(*)-24-DC	20-31 Vdc	L-110 cd	249 mA
120 Vac, Non-synchronized –			
2700B-E-(*)-120-60	120 Vac	E-15/75 CD	30 mA
2700B-G-(*)-120-60	120 Vac	G-30/75 CD	45 mA
2700B-J-(*)-120-60	120 Vac	J-60/75 CD	55 mA
2700B-K-(*)-120-60	120 Vac	K-75 CD	60 mA
2700B-L-(*)-120-60	120 Vac	L-110 CD	75 mA

Accessories

Part No.	Description
3017B-0-(*)	Flush or surface box
PM-6933	Bi-directional housing, wall or ceiling, red
3046B-0-(*)	1.7 Dia. surface box
3047B-0-(*)	2.7" Dia. surface box
3048B	2.7" Dia flush box
10540	Surface or flush clear cover
5406B-0-(*)-24-DC	Sync control module

- * Color (14) red (21) off-white.
- For ceiling mount versions, add "A" after candela letter (e.g. 2700B-EA-(*)-24-DC).

Typical Wiring



2701 Specifications

Environmental

32°F to 120°F (0°C to 49°C) at 85% RH

Input Voltage

20-31 Vdc regulated or FWR
and 120 Vac

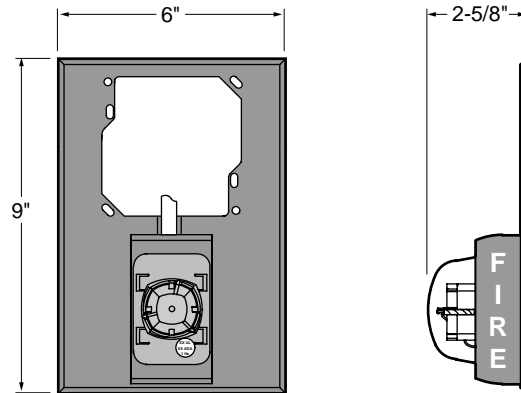
Mounting

4" square box. Pigtail connection

Shipping Weight

1 lb. approx.

2701 Physical Dimensions



2701 Ordering Information

Signal Strobe Plates

Part No.	Voltage**	Candela	Strobe Current
24 Vdc Synchronized –			
2701B-M-(*)-24-DC	20-31 Vdc	M-15/75 cd	59 mA
2701B-R-(*)-24-DC	20-31 Vdc	R-30/75 cd	88 mA
2701B-T-(*)-24-DC	20-31 Vdc	T-60/75 cd	154 mA
2701B-Y-(*)-24-DC	20-31 Vdc	Y-75 cd	170 mA
2701B-Z-(*)-24-DC	20-31 Vdc	Z-110 cd	249 mA
24 Vdc, Non-synchronized –			
2701B-E-(*)-24-DC	20-31 Vdc	E-15/75 cd	59 mA
2701B-G-(*)-24-DC	20-31 Vdc	G-30/75 cd	89 mA
2701B-J-(*)-24-DC	20-31 Vdc	J-60/75 cd	155 mA
2701B-K-(*)-24-DC	20-31 Vdc	K-75 cd	164 mA
2701B-L-(*)-24-DC	20-31 Vdc	L-110 cd	249 mA
120 Vac, Non-synchronized –			
2701B-E-(*)-120-60	120 Vac	E-15/75 CD	30 mA
2701B-G-(*)-120-60	120 Vac	G-30/75 CD	45 mA
2701B-J-(*)-120-60	120 Vac	J-60/75 CD	55 mA
2701B-K-(*)-120-60	120 Vac	K-75 CD	60 mA
2701B-L-(*)-120-60	120 Vac	L-110 CD	75 mA

* Color (14) red & (21) off-white.

Accessories

Part No.	Description
3017B-0-(*)	Indoor Surface box
5406B-0-(*)-24-DC	Sync control module

2705 Specifications

Environmental

-37°F to 150°F (-35°C to 66°C) with 95% relative humidity max.

Input Voltage

20-31 Vdc regulated or FWR and 120 Vac

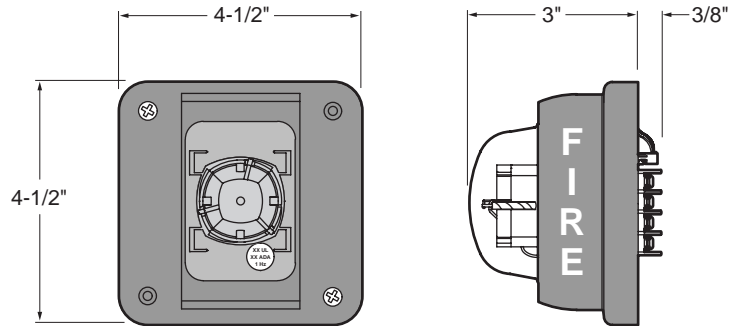
Mounting

Use 3014B or 3015B box for weatherproof use. Screw terminals accept 12 awg wire

Shipping Weight

2 lbs. approx.

2705 Physical Dimensions



2705 Ordering Information

Weatherproof Stand-Alone Strobes

Part No.	Voltage	Candela	Strobe Current
24 Vdc, Synchronized –			
2705B-M-(*)-24-DC	20-31 Vdc	M-68 cd	59 mA
2705B-Z-(*)-24-DC	20-31 Vdc	Z-100 cd	249 mA
24 Vdc, Non-synchronized –			
2705B-E-(*)-24-DC	20-31 Vdc	E-68 cd	59 mA
2705B-L-(*)-24-DC	20-31 Vdc	L-100 cd	249 mA
120 Vac, Non-synchronized –			
2705B-E-(*)-120-60	120 Vac	E-68 CD	30 mA
2705B-L-(*)-120-60	120 Vac	L-110 CD	75 mA

- * Color (14) red (21) off-white.
- For ceiling mount versions, add "A" after candela letter (e.g. 2705B-EA-(*)-24-DC).

Accessories

Part No.	Description
3014B-0-(*)	Weatherproof box, 1/2" NPT
3015B-0-(*)	Weatherproof box, 3/4" NPT
5406B-0-(*)-24-DC	Sync control module



Faraday, LLC
 805 South Maumee Street
 Tecumseh, Michigan 49286
Phone: (517) 423-2111
Fax: (517) 423-2320

WARNING - The information contained in this document is intended only as a summary and is subject to change without notice. The devices described in this document have specific instruction sheets which cover various technical, limitation and liability information. Copies of these instruction sheets and the General Product Warning and Limitations Document, which also contains important information, are provided with the product and are available from the Manufacturer. Information contained in these documents should be consulted before specifying or using the product. For further information or assistance concerning particular problems contact the Manufacturer.