

343x/44xx/47xx Series Bells, Chimes & Accessories

Features

- High dB output
- Noise cancellation circuitry
- AC or DC operation
- Vibrating or single stroke
- Made in U.S.A.

Description

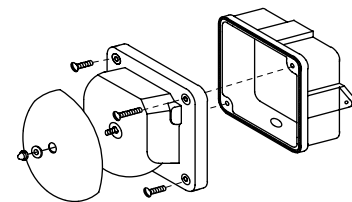
Faraday's Bells and Chimes are designed and built with special materials to provide loud resonant tones desirable in fire alarm and life safety systems. Three bell sizes and a chime are available to provide distinctive tones for different ambient noise levels.

All units are designed for installation on a standard 4-inch square electrical box. Adapters allow surface, semi-flush, flush and weatherproof mounting. Faraday fire alarm bells and chimes are designed for use on either coded or non-code alarm systems. The single stroke devices are available for series AC, series DC, parallel AC and parallel DC applications. Vibrating devices are available for series AC, parallel AC and parallel DC uses.

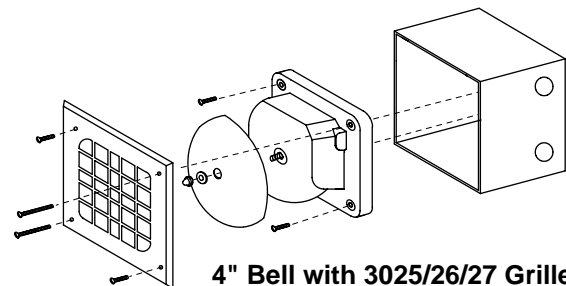
Parallel units are designed with terminals to insure proper supervision as well as provide better electrical connections. Parallel devices also include a blocking network for connection to a supervised signal circuit. Each unit is also provided with noise cancellation circuitry to prevent the transmission of transient spikes typically generated by DC contact type electro-mechanical devices.



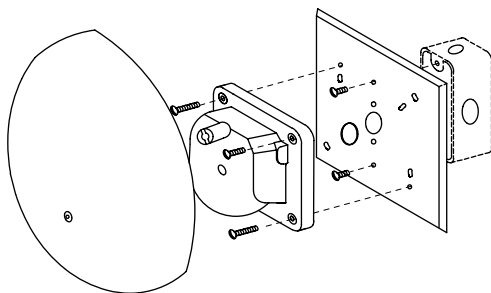
10" Bell, 4" Bell and Chime



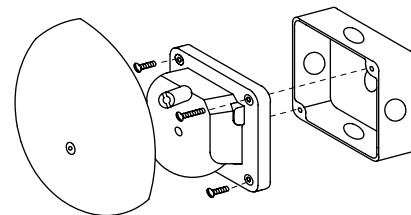
4" Bell with 3014/3015 Box



4" Bell with 3025/26/27 Grille and 3029/30/31 Back Box



10" Bell with 3019 Conduit Plate



6" Bell with 3017 Surface Box

NOTICE- The information contained in this document is intended only as a summary and is subject to change without notice. The devices described in this document have specific instruction sheets which cover various technical, limitation and liability information. Copies of these instruction sheets and the General Product Warning and Limitations Document, which also contains important information, are provided with the product and are available from the Manufacturer. Information contained in these documents should be consulted before specifying or using the product. For further information or assistance concerning particular problems contact the Manufacturer.



Specifications

Environmental

Indoor: 32°F to 120°F (0°C to 49°C) with 85% humidity
 Outdoor: -31°F to 150°F (-35°C to 66°C) with 95% humidity. 3014/3015 back box required for outdoor use.

Primary Input Voltage

(see below)

dB Rating

Minimum UL measurements are 75-87 dB taken in free air at 360° around the device and averaged. Typical readings (see below) are frontal sound readings taken with a dB meter with signal mounted on wall.

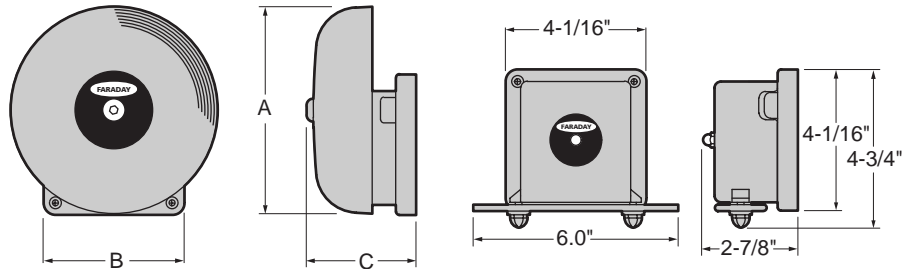
Listings and Approvals

UL 464 listed, file no. E4300
 ULC listed, file no. CS202
 (for all other listings and approvals, please consult factory)

Shipping Weight

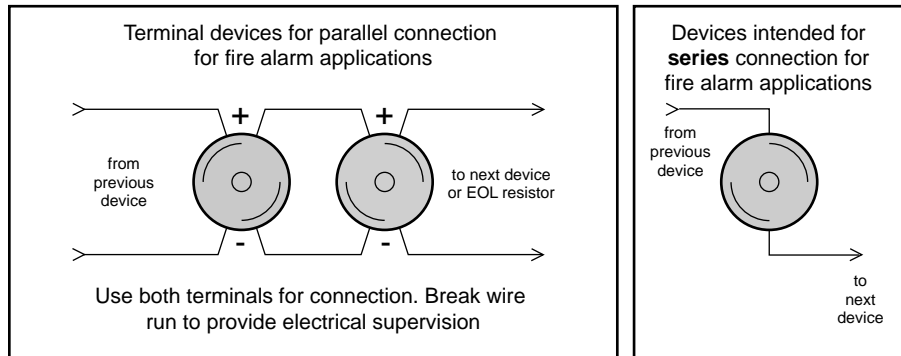
10" bells, 4-3/4 lbs. approx.
 6" bells, 2-1/2 lbs. approx.
 4" bells, 1-3/4 lbs. approx.
 Chimes, 2-1/2 lbs. approx.

Bell & Chime Dimensions



Description	Dim A	Dim B	Dim C
10" Bell	10"	4-1/16"	3-1/4"
6" Bell	6"	4-1/16"	3-1/4"
4" Bell	4"	4-1/16"	2-7/8"

Wiring Diagrams



Ordering Information

Order Number	Description
DC, Vibrating Parallel, Polarized, 21-30 Vdc, 0.11A	
4461B-10-(*)-24-DC	Bell, 10", 104 dBA
4466B-6-(*)-24-DC	Bell, 6", 97 dBA
4464B-4-(*)-24-DC	Bell, 4", 92 dBA
4465B-0-(*)-24-DC	Chime, 90 dBA
AC, Vibrating Parallel, Polarized, 120 Vac, 0.065A	
4491B-10-(*)-120-6	Bell, 10", 102 dBA
4496B-6-(*)-120-60	Bell, 6", 95 dBA
4494B-4-(*)-120-60	Bell, 4", 90 dBA
4495B-0-(*)-120-60	Chime, 87 dBA
DC, Vibrating Parallel, Polarized, 21-30 Vdc, 0.07A	
4761B-10-(*)-24-DC	Bell, 10", 95 dBA
4766B-6-(*)-24-DC	Bell, 6", 88 dBA
4764B-4-(*)-24-DC	Bell, 4", 85 dBA
4765B-0-(*)-24-DC	Chime, 88 dBA
DC, Single Stroke, Parallel, Polarized, 21-30 Vdc, 0.36A	
4771B-10-(*)-24-DC	Bell, 10", 92 dBA
4776B-6-(*)-24-DC	Bell, 6", 85 dBA
4774B-4-(*)-24-DC	Bell, 4", 83 dBA
4775B-0-(*)-24-DC	Chime, 85 dBA

Order Number	Description
AC, Single Stroke, Series, 7 Vac, 1.5A	
4411B-10-(*)-7-60	Bell, 10", 90 dBA
4416B-6-(*)-7-60	Bell, 6", 85 dBA
4415B-0-(*)-7-60	Chime, 85 dBA
AC, Single Stroke, Series, 4 Vac, 2.5A	
4411B-10-(*)-4-60	Bell, 10", 90 dBA
4416B-6-(*)-4-60	Bell, 6", 85 dBA
4415B-0-(*)-4-60	Chime, 85 dBA
Mounting Accessories	
3014B-0-(*)	Weather-proof box-1/2" NPT
3015B-0-(*)	Weather-proof box- 3/4" NPT
3017B-0-(*)	Surface box
3018B-0-(*)	Semi-flush plate
3019B-0-(*)	Concealed conduit plate
3029B	Flush bell BB
3025B-0-(*)	Flush grille, 4"
3030B	Flush bell BB, 6"
3026B-0-(*)	Flush grille 6"
3031B	Flush bell BB
3027B-0-(*)	Flush Grille, 10"
10540	(STI1220) Flush horn/strobe cover
10541	(STI3100) 2" Spacer, purchase with 10540 for horn to be surface mount, surface horn/strobe cover

Faraday, LLC
 805 S. Maumee Street
 Tecumseh, MI 49286, U.S.A.
Phone: (517) 423-2111
Fax: (517) 423-2320
Web: www.faradayllc.com

* (14) red & (21) white.



* (14) red & (21) white specify color -14 Red, or, -21 White