

Models 623x/625x DC Mechanical Horns & Horn Strobes

Features

- Contactless Electro-Mechanical design, resulting in no contact generated interference and high reliability (Patent #5,596,477)
- 24 Vdc units available with 15/75, 30/75, 60/75, 75 or 110 candela strobes
- Horn/strobe can be wired together or independently
- Non-synchronous or synchronous strobes (synchronous strobes require 5406 Synchronous Controller Module)
- Screw Terminals accept #12 Awg.
- UL 1971 (indoor), UL 1638 (weatherproof) & UL 464 listed, CSFM and ULC

Description

Models **623x** & **625x** Electro-Mechanical Horns & Horn Strobes combine state of the art electronics with the rugged proven durability of a mechanical horn. The combination of electronics and mechanics provide the maximum penetrating sound power while eliminating problems associated with mechanical contacts.

The 623x/625x removes the effects of inrush and RFI noise associated with contact operated mechanical devices. This design also eliminates the possibility of dust and dirt contaminating the contacts. The construction of the horn and horn strobe allows for either surface or flush mounting on a standard 4-inch square back box. Weatherproof applications must use a 3014 or 3015 weatherproof back box.

**Models 6234/6254
Horn-Strobe**



**Models 6230/
6250 Horn**

Because of the energy efficient design, the 623x units draw only 38 mA and the 625x units draw 65 mA. Current draw is the same whether connected to filtered or unfiltered power supplies. Screw terminals are provided for the horn and strobe. The strobe can be configured to operate independently from the horn.

The units with an integral synchronous or non-synchronous strobe have a Xenon flashtube with solid state circuitry for maximum reliability and efficiency. The Faraday "**E/M**" (15/75 cd), "**G/R**" (30/75 cd), "**J/T**" (60/75 cd), "**K/Y**" (75 cd), "**L/Z**" (110 cd) series strobe has a rounded dome shape made of clear polycarbonate. "FIRE" letters are visible on the strobe housing.

Engineering Specifications

Notification device shall be a Faraday Models 623x/625x horn & horn strobe listed to standard UL 464, UL 1971 & UL 1638 for the Hearing Impaired and shall be approved for fire protective service. Strobe shall be wired as a Primary Signaling Notification Appliance. Strobe shall also comply with the Americans with Disabilities Act (ADA) requirements for visible signaling appliances. Strobe shall operate on 24 Vdc from a regulated DC supply or full-wave rectified, unfiltered supply. The current draw shall remain the same for both

types of power. The signaling strobe shall be powered from a non-coded power supply. The strobe light shall consist of a xenon flash tube and associated lens with flash system. Mounting shall be to a 3014 or 3015 weatherproof back box for outdoor installation. The Horns shall have no contacts and have a typical sound output rating of 96 dB at 10' and a frequency of no higher than 600 Hz.

Specifications

Environmental

Indoor: 32°F to 120°F (0°C to 49°C) at 85% RH
 Weatherproof: -31°F to 150°F (-35°C to 66°C at 95% RH

Primary Input Voltage

Listed operating voltage is 20-31 Vdc/FWR

Horn Current

see ordering information

Typical dB Rating at 10 Feet**

623x: 96 dB
 625x: 100 dB

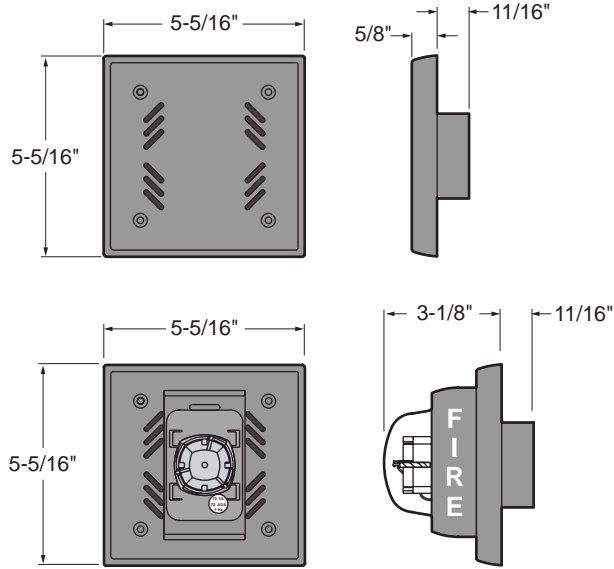
Mounting

Indoor: 4" square box
 Weatherproof: 3014 or 3015 WP box

Shipping Weight

Horn: 1-1/2 lbs. approx.
 Horn/Strobe: 2 lbs. approx.

Dimensions



Ordering Information

DC Mechanical Horn & Horn Strobes, 24 Vdc

Part Number	Candela	Strobe Current	Horn Current
6230B-0-(*)-24-DC	n/a	n/a	38 mA
6234B-E-(*)-24-DC	15/75 Cd Strobe	59 mA	38 mA
6234B-M-(*)-24-DC	15/75 Cd Sync Strobe	59 mA	38 mA
6234B-G-(*)-24-DC	30/75 Cd Strobe	89 mA	38 mA
6234B-R-(*)-24-DC	30/75 Cd Sync Strobe	88 mA	38 mA
6234B-J-(*)-24-DC	60/75 Cd Strobe	155 mA	38 mA
6234B-T-(*)-24-DC	60/75 Cd Sync Strobe	154 mA	38 mA
6234B-K-(*)-24-DC	75 Cd Strobe	164 mA	38 mA
6234B-Y-(*)-24-DC	75 Cd Sync Strobe	170 mA	38 mA
6234B-L-(*)-24-DC	110 Cd Strobe	249 mA	38 mA
6234B-Z-(*)-24-DC	110 Cd Sync Strobe	249 mA	38 mA

DC Mechanical Horns & Horn Strobes, 24 Vdc, White (Ceiling Mount)

6225B-0-4-24-DC	n/a	n/a	38 mA
6238B-E-4-24-DC	15/75 Cd Strobe	59 mA	38 mA
6238B-M-4-24-DC	15/75 Cd Sync Strobe	59 mA	38 mA
6238B-G-4-24-DC	30/75 Cd Strobe	89 mA	38 mA
6238B-R-4-24-DC	30/75 Cd Sync Strobe	88 mA	38 mA
6238B-J-4-24-DC	60/75 Cd Strobe	155 mA	38 mA
6238B-T-4-24-DC	60/75 Cd Sync Strobe	154 mA	38 mA
6238B-K-4-24-DC	75 Cd Strobe	164 mA	38 mA
6238B-Y-4-24-DC	75 Cd Sync Strobe	170 mA	38 mA
6238B-L-4-24-DC	110 Cd Strobe	249 mA	38 mA
6238B-Z-4-24-DC	110 Cd Sync Strobe	249 mA	38 mA

* (14) red & (21) white

** Minimum UL measurements are 85 dB for 623x models and 88 dB for 625x models.

Accessories

Part No.	Description
3014B-0-(*)	Weatherproof box 1/2" NPT
3015B-0-(*)	Weatherproof box 3/4" NPT
3017B-0-(*)	Flush or surface box
PM-6933	Pendent wall or ceiling housing
3046B-0-(*)	1.7"D Flush or surface box for horn/strobe
3047B-0-(*)	2.7"D Flush or surface box for horn/strobe
3048B	2.7"D Flush box for horn / strobe
10540	Surface or flush horn/strobe cover for flush horn/strobe
5406B-0-(*)	Dual sync control unit

Ordering Information

DC Mechanical Hi dB Horn & Horn Strobes, 24 Vdc

Part Number	Candela	Strobe Current	Horn Current
6250B-0-(*)-24-DC	n/a	n/a	65 mA
6254B-E-(*)-24-DC	15/75 Cd Strobe	59 mA	65 mA
6254B-M-(*)-24-DC	15/75 Cd Sync Strobe	59 mA	65 mA
6254B-G-(*)-24-DC	30/75 Cd Strobe	89 mA	65 mA
6254B-R-(*)-24-DC	30/75 Cd Sync Strobe	88 mA	65 mA
6254B-J-(*)-24-DC	60/75 Cd Strobe	155 mA	65 mA
6254B-T-(*)-24-DC	60/75 Cd Sync Strobe	154 mA	65 mA
6254B-K-(*)-24-DC	75 Cd Strobe	164 mA	65 mA
6254B-Y-(*)-24-DC	75 Cd Sync Strobe	170 mA	65 mA
6254B-L-(*)-24-DC	110 Cd Strobe	249 mA	65 mA
6254B-Z-(*)-24-DC	110 Cd Sync Strobe	249 mA	65 mA

DC Mechanical High dB Horns & Horn Strobes, 24 Vdc, White (Ceiling Mount)

6245B-0-4-24-DC	n/a	n/a	65 mA
6258B-E-4-24-DC	15/75 Cd Strobe	59 mA	65 mA
6258B-M-4-24-DC	15/75 Cd Sync Strobe	59 mA	65 mA
6258B-G-4-24-DC	30/75 Cd Strobe	89 mA	65 mA
6258B-R-4-24-DC	30/75 Cd Sync Strobe	88 mA	65 mA
6258B-J-4-24-DC	60/75 Cd Strobe	155 mA	65 mA
6258B-T-4-24-DC	60/75 Cd Sync Strobe	154 mA	65 mA
6258B-K-4-24-DC	75 Cd Strobe, white	164 mA	65 mA
6258B-Y-4-24-DC	75 Cd Sync Strobe	170 mA	65 mA
6258B-L-4-24-DC	110 Cd Strobe	249 mA	65 mA
6258B-Z-4-24-DC	110 Cd Sync Strobe	249 mA	65 mA

Weatherproof DC Mechanical Horn & Horn Strobes, 24 Vdc

6230B-0-(*)-24-DC	n/a	n/a	38 mA
6235B-E-(*)-24-DC	68 Cd Strobe	59 mA	38 mA
6235B-M-(*)-24-DC	68 Cd Sync Strobe	59 mA	38 mA
6235B-L-(*)-24-DC	100 Cd Strobe	249 mA	38 mA
6235B-Z-(*)-24-DC	100 Cd Sync Strobe	249 mA	38 mA

- For ceiling mount, add "A" after candela letter (e.g. 6235B-EA-(*)-24 DC

Weatherproof Hi dB DC Mechanical Horn & Horn Strobes, 24 Vdc

6250B-0-(*)-24-DC	n/a	n/a	65 mA
6255B-E-(*)-24-DC	68 Cd Strobe	59 mA	65 mA
6255B-M-(*)-24-DC	68 Cd Sync Strobe	59 mA	65 mA
6255B-L-(*)-24-DC	100 Cd Strobe	249 mA	65 mA
6255B-Z-(*)-24-DC	100 Cd Sync Strobe	249 mA	65 mA

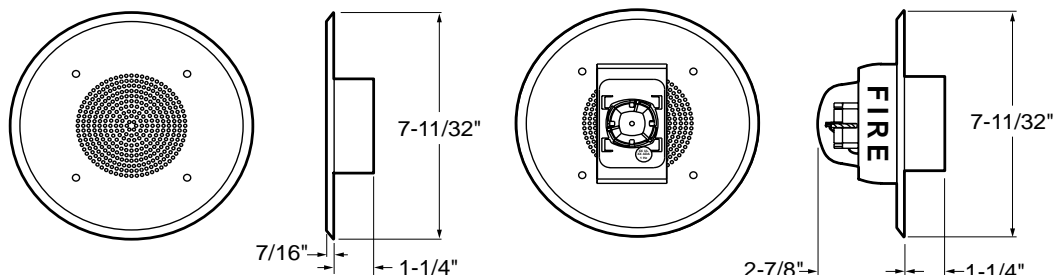
- For ceiling mount, add "A" after candela letter (e.g. 6255B-EA-(*)-24 DC

* (14) red & (21) white.

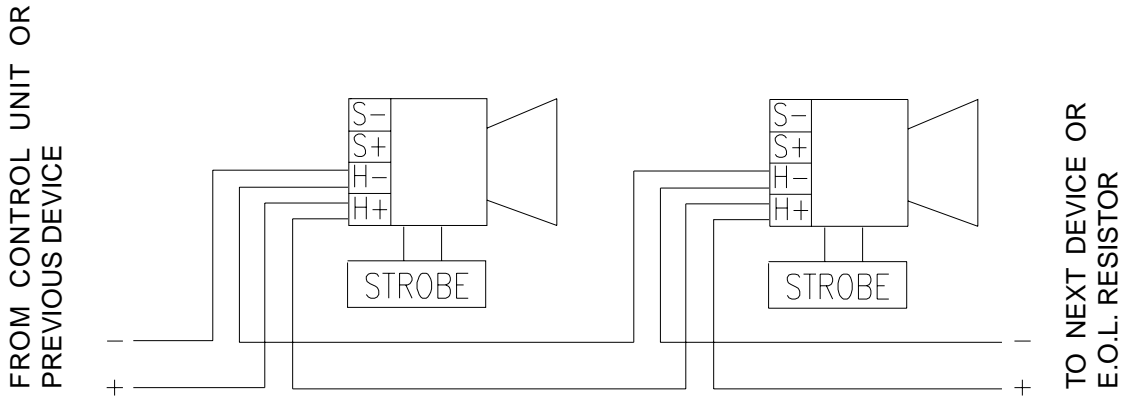
Accessories

Part No.	Description
3014B-0-(*)	Weatherproof box 1/2" NPT
3015B-0-(*)	Weatherproof box 3/4" NPT
3017B-0-(*)	Flush or surface box
PM-6933	Pendent wall or ceiling housing
3046B-0-(*)	1.7"D Flush or surface box for horn/strobe
3047B-0-(*)	2.7"D Flush or surface box for horn/strobe
3048B	2.7"D Flush box for horn / strobe
10540	Surface or flush horn/strobe cover for flush horn/strobe
5406B-0-(*)	Dual sync. control unit

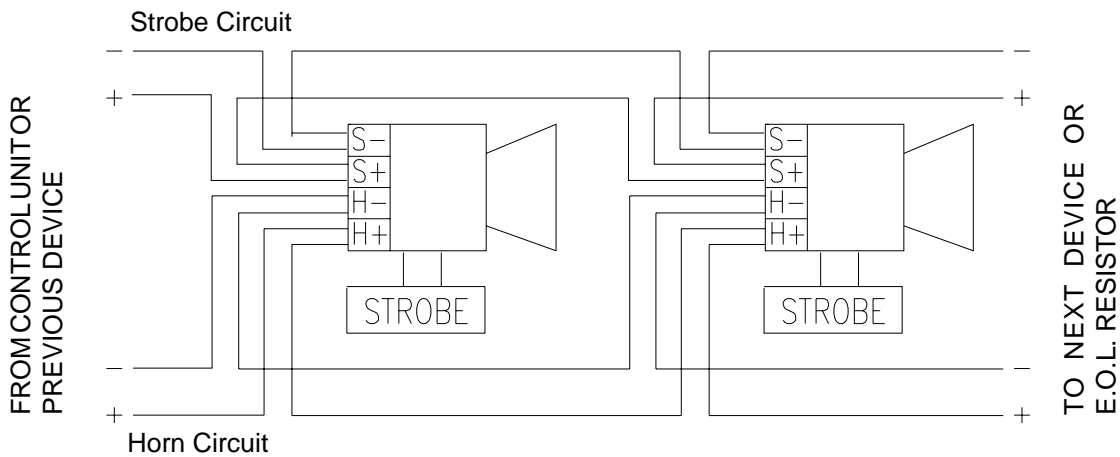
Dimensions (Ceiling Mount)



Wiring



Wiring for 6230/50, 6234/54 & 6335/55 Horn Strobes where horns and strobes connect to the same circuit.



Wiring for 6230/50, 6234/54 & 6235/55 Horn Strobes where horns and strobes connect to separate circuits. (Cut Jumpers J1 and J2)

The sync strobe lights must be connected to a compatible signal circuit with a steady current output and appropriate voltage, with a 5406 sync control unit wired electrically before the sync strobes.



Faraday, LLC
 805 S. Maumee Street
 Tecumseh, MI 49286, U.S.A.
Phone: (800) 465-7115
Fax: (800) 552-3557

NOTICE- The information contained in this document is intended only as a summary and is subject to change without notice. The devices described in this document have specific instruction sheets which cover various technical, limitation and liability information. Copies of these instruction sheets and the General Product Warning and Limitations Document, which also contains important information, are provided with the product and are available from the Manufacturer. Information contained in these documents should be consulted before specifying or using the product. For further information or assistance concerning particular problems contact the Manufacturer.