

Model 6165 & Model 618x AC Electro-Mechanical Horns & Horn Strobes

Features

- 120 Vac units available with 15/75, 30/75, 60/75, 75 or 110 candela strobes
- Penetrating mechanical tone (100 dB typical) with low operating current
- Lightweight plastic grille design
- Horn/strobe can be wired together or independently
- Weatherproof versions available when used with 3014 or 3015 backbox
- Strobes meet ADA guidelines
- UL 464 & UL 1971 listed for both wall and ceiling mount (indoor use) – UL 464 & UL 1638 listed for both wall and ceiling mount (outdoor use). CSFM listed, ULC and MEA approvals, FM pending
- Made in U.S.A., ISO 9001 Quality Crafted

Description

Faraday's AC models of signaling devices provide the user with flexibility and reliability to meet any audible and visual signaling application.

The **6180/6165** horns and **618x** horn strobes are polarized and use a terminal block for wiring connections to horn and wire leads to strobe. For weatherproof units order part number 6180 horns or 6185 horn strobes. Weatherproof units must use the **3014** or **3015** weatherproof back box.

The "E"-15/75 Cd, "G"- 30/75 Cd, "J"- 60/75 Cd, "K"-75 Cd, or "L"-110 Cd strobe has a rounded dome shape made of clear polycarbonate. "FIRE" letters are visible on the strobe housing. The overall lens is 2.0" x 2-7/8" with a height of 1-3/8".

**Model
6184, 6185
or 6188
Horn Strobe**



**Model
6180
Horn**



**Model
6188
Horn
Strobe**



**Model
6165
Horn**



Engineering Specifications

Notification device shall be a Faraday, model 6165/6180 listed to standard UL 464 or model 618x listed to UL 464 & UL 1971 or UL 1638 and shall be approved for fire protective service. Units with strobe shall be wired as a Primary Signaling Notification Appliance. Strobe shall also comply with the Americans with Disabilities Act (ADA) requirements for appliances. Devices shall operate on 120 Vac. The signaling strobe shall be powered from a non-coded power source when powered with the horn or powered independently.

Visual signaling devices are to be installed per plans and specifications. The strobe light shall consist of a xenon flash tube and associated lens with flash system. AC Notification devices shall be capable of mounting to a standard 4" x 4" x 1-1/2" backbox. The 6180 horn shall be rated for weatherproof applications when mounted to the 3014 or 3015 weatherproof backbox. Horns are Electro-Mechanical, have no contacts and operate in the 400 to 700 Hz range.

Specifications

Environmental

32°F to 120°F (0°C to 49°C) at 85% RH
Weatherproof – -37°F to 150°F (-35°C to 66°C) at 95% RH

Primary Input Voltage

see ordering information

Typical dB Rating at 10 Feet

100 dB typical – Minimum UL measurements are 91 dB. Typical readings are frontal sound readings taken with a dB meter with signal mounted on wall.

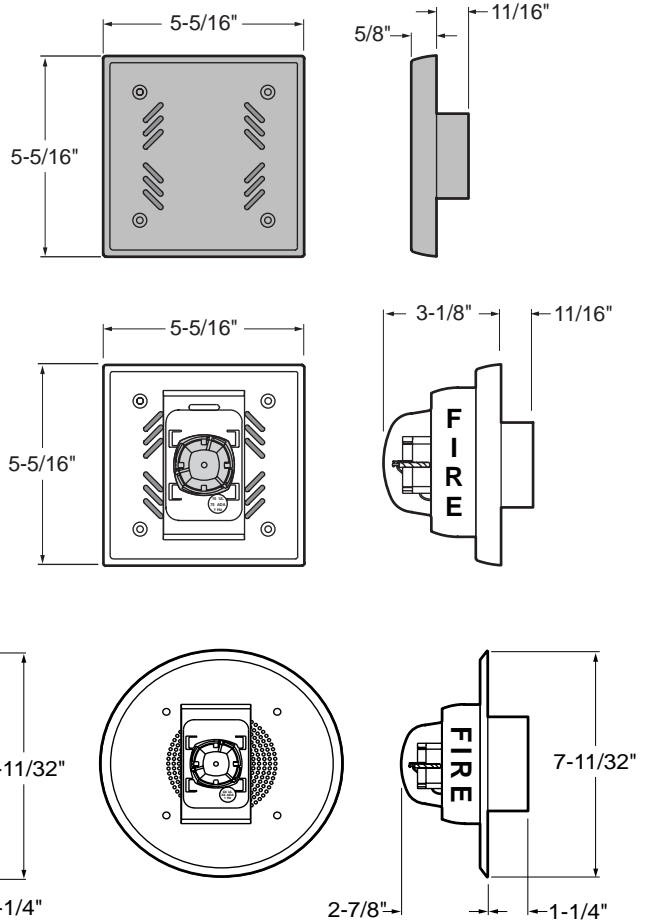
Mounting

4" square box
Weatherproof – 3014B or 3015B weatherproof box (see accessories)

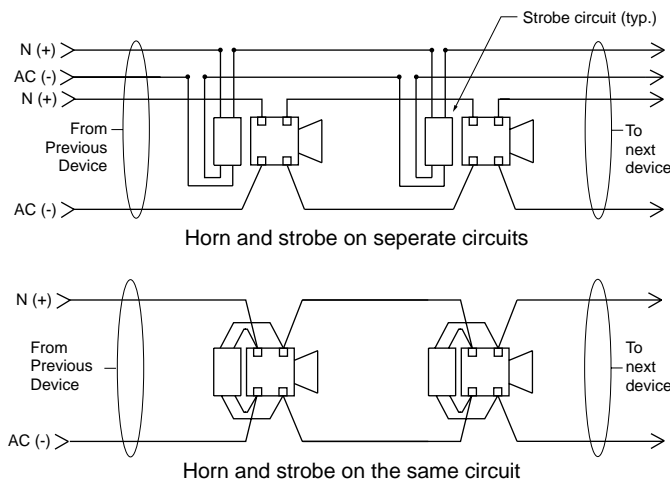
Shipping Weight

Horn, 1-1/2 lb. approx.
 Horn/Strobe, 2 lbs. approx.

Dimensions



Wiring (616x/618x) Horn and Horn w/Strobe



Note: The terminals on this horn are designed to accept 14 ga. wire. AC/N operating polarity is shown in alarm at 120 Vac. (+/-) supervisory polarity is shown in standby at 24 Vdc.

Ordering Information

Polarized AC Mechanical Horns

Part Number	Voltage	Horn Current
6180B-0-(*)-24-60	24 Vac	350 mA
6180B-0-(*)-120-60	120 Vac	70 mA

Polarized AC Mechanical Horn Strobes

Part Number	Voltage	Candela	Strobe Current	Horn Current
6184B-E-(*)-120-60	120 Vac	15/75 Cd	30 mA	70 mA
6184B-G-(*)-120-60	120 Vac	30/75 Cd	45 mA	70 mA
6184B-J-(*)-120-60	120 Vac	60/75 Cd	55 mA	70 mA
6184B-K-(*)-120-60	120 Vac	75 Cd	60 mA	70 mA
6184B-L-(*)-120-60	120 Vac	110 Cd	76 mA	70 mA

Polarized AC Mechanical Horns & Horn Strobes (Ceiling Mount)

6165B-0-4-24-60	24 Vac	n/a	n/a	350 mA
6165B-0-4-120-60	120 Vac	n/a	n/a	70 mA
6188B-E-4-120-60	120 Vac	15/75 Cd	30 mA	70 mA
6188B-G-4-120-60	120 Vac	30/75 Cd	45 mA	70 mA
6188B-J-4-120-60	120 Vac	60/75 Cd	55 mA	70 mA
6188B-K-4-120-60	120 Vac	75 Cd	60 mA	70 mA
6188B-L-4-120-60	120 Vac	110 Cd	76 mA	70 mA

Polarized Weatherproof AC Mechanical Horns & Horn Strobes

6180B-0-(*)-24-60	24 Vac	n/a	n/a	70 mA
6180B-0-(*)-120-60	120 Vac	n/a	n/a	70 mA
6185B-E-(*)-120-60	120 Vac	68 Cd	30 mA	70 mA
6185B-L-(*)-120-60	120 Vac	100 Cd	76 mA	70 mA

- For ceiling mount, add "A" after candela letter (e.g. 6185B-EA-(*)-120-60

* Color: (14) Red & (21) Off-white

Accessories

Part No.	Description
3014B-0-(*)	Weatherproof box 1/2" NPT
3015B-0-(*)	Weatherproof box 3/4" NPT
3047B-0-(*)	2.7"D surface box
3017B-0-(*)	Indoor surface box
PM-6933	Bi-directional housing, wall or ceiling, red
3048B	2.7"D Flush box for horn/strobe
3046B-0-(*)	1.7"D Surface box for horn/strobe
10540	Surface or flush clear cover



805 S. Maumee Street
Tecumseh, MI 49286, U.S.A.
Phone: (800) 465-7115
Fax: (800) 552-3557
Http: www.faradayllc.com

WARNING - The information contained in this document is intended only as a summary and is subject to change without notice. The devices described in this document have specific instruction sheets which cover various technical, limitation and liability information. Copies of these instruction sheets and the General Product Warning and Limitations Document, which also contains important information, are provided with the product and are available from the Manufacturer. Information contained in these documents should be consulted before specifying or using the product. For further information or assistance concerning particular problems contact the Manufacturer.