

Model 5406 Dual Synchronization Control Module

Features

- Standard 4" square back box mounting
- Synchronizes The Adapter™ series field selectable candela strobes and Faraday "M", "R", "T", "Y" & "Z" strobes
- Synchronizes Faraday models 2820, 2821 & 2824 temporal horns
- Temporal horn silence while strobes continue on 2 wires
- Output configuration can be two Style Y, (class B) or one Style Z (class A) notification circuit(s) up to 3A per circuit
- Usable on any listed polarity reversal type notification appliance circuit (NAC)
- UL 1971 listed, CSFM listed, ULC and MEA approvals
- Terminals accept up to #12 awg wire
- Made in USA, ISO 9001 Quality Crafted

Description

The **5406** Dual Sync Control Module provides synchronization of the Faraday **Adapter** field selectable candela strobes, Faraday "**M**", "**R**", "**T**", "**Y**" & "**Z**" strobes, and synchronization and silenceability to 2820 series electronic audible signals.

When connected to a polarity reversal notification appliance circuit, there is supervision of the wiring from the FACP through the 5406 to the End-of-Line device. The 5406 triggers the strobes to flash at a rate of 1 flash per second. The 5406 also provides a synchronized temporal or march time horn pattern when used with the Faraday series 2820, 2821 & 2824. These audible signals may also be silenced while the strobes continue to flash, all on two wires.

The module can support two Style Y (class B) or one Style Z (class A) notification appliance circuit(s). The 5406 may be alternatively configured to synchronize audible conventional notification appliances in a march time or temporal horn pattern from steady 24 Vdc NACs.

Model
5406



Engineering Specifications

The synchronization modules shall be Faraday Series 5406. The sync module shall be listed to UL1971 (Standard for Safety Signaling for the Hearing Impaired). The Series 5406 shall be specifically designed to be compatible with Faraday notification appliances which are equipped with the Faraday Adapter series field selectable strobes, or the "M", "R", "T", "Y", & "Z" strobes, as well as Faraday Series 2824 Horn-Strobes, and Faraday Series 2820 and 2821 Horns. When controlling NAC's that have these Faraday notification appliances, all strobes shall be synchronized in the minimum 1 flash per second flash rate, and the Series 2820, 2821, and 2824 horns shall be synchronized in the field selectable march time or temporal horn pattern. In addition, it shall be possible to silence the 2820, 2821, and 2824 horns while the strobes continue to flash.....all on 2 wire circuits. The module shall have provision to control one class A (style Z) NAC, or two class B (style Y) NAC's. Each circuit shall be rated up to 3A at 24 Vdc. It shall be possible to interconnect up to 600 sync modules to insure mutual synchronization of appliances on multiple NAC's. Inputs shall be compatible with standard reverse polarity circuit supervision by an FACP.

The Faraday 5406 Sync Module can be alternatively field configured to synchronize conventional audible appliances in a march time or temporal pattern, when powered by steady 24 Vdc NAC's.

The module shall mount to a standard 4" square backbox, as well as Faraday 3046 and 3047 Surface Boxes

Specifications

Environmental

32°F to 120°F (0°C to 49°C) with 85% humidity

Primary Input Voltage

20 to 31 Vdc or VFWR

Operating Current

55 mA

Mounting

Standard 4" square box

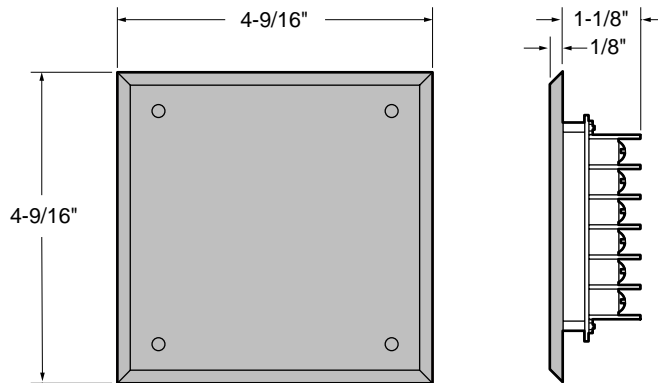
Output Current

3A max. (supplied by FACP)

Shipping Weight

10 oz. approx.

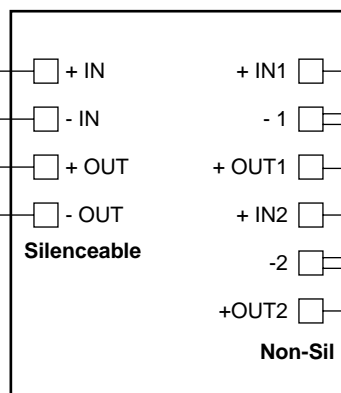
Physical Dimensions



Wiring

From control panel (non-pulsing or pulsing) silenceable NAC or slaved NAC: 20-31 Vdc or VFV, 5 mA, if required

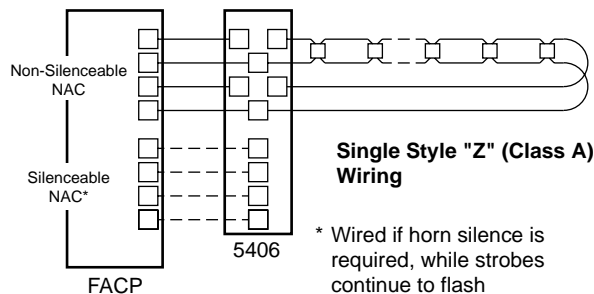
F.A. panel NAC EOL if circuit used



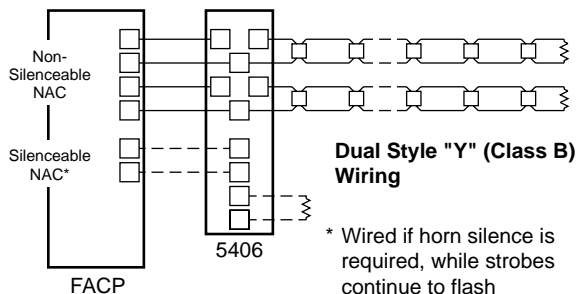
From control panel (non-pulsing) non-silenceable NAC: 20-31 Vdc or VFV, 55 mA, plus output notification appliance load

To compatible notification appliances. 3A max. load, not to exceed NAC rating. Supervised by NAC

Same as circuit above



Single Style "Z" (Class A) Wiring
* Wired if horn silence is required, while strobes continue to flash



Dual Style "Y" (Class B) Wiring
* Wired if horn silence is required, while strobes continue to flash

Ordering Information

Part Number	Description
5406B-0-(*)-24-DC	Semi- Flush mount Dual Sync Control Module

* (14) red or (21) off-white

Notes:

- 5406 Sync Module must be connected to 2 non-pulsing signal circuits with a steady current output and appropriate voltage.
- A third signal circuit is required to provide horn silence while strobes continue to flash.
- Audible and visual currents are combined together.
- The 5406 sync strobe control unit must be wired electrically before the strobes/signals.

© Faraday, LLC, 2001 – all rights reserved
Specifications subject to change without notice



805 S. Maumee Street
Tecumseh, MI 49286, U.S.A.
Phone: (800) 465-7115
Fax: (800) 552-3557
Web: www.faradayllc.com

WARNING - The information contained in this document is intended only as a summary and is subject to change without notice. The devices described in this document have specific instruction sheets which cover various technical, limitation and liability information. Copies of these instruction sheets and the General Product Warning and Limitations Document, which also contains important information, are provided with the product and are available from the Manufacturer. Information contained in these documents should be consulted before specifying or using the product. For further information or assistance concerning particular problems contact the Manufacturer.