

## Model 2960 & 2963 Outdoor Speakers

### Features

- Emergency Loudspeakers Available in 8-Ohm, 70V and 25V Versions
- Model 2960 Has 1 & 2 Watt Taps and Model 2963 Has 2, 4, 8 & 15 Watt Taps
- Durable, Die-Cast, Water-Sealed Housings Withstand Vandalism, Vermin, Moisture, Corrosion, and Vibration
- All Models Produce High Level Output, Optimum Intelligibility, and Effective Dispersion
- Ideal for Reliable Voice/Tone Signaling in Public Area Emergency Communications and Heavy-Duty Industrial Applications
- UL 1480 listed and CSFM listed

### Description

These cost-effective units offer compact size, functional flexibility, optimum intelligibility, effective sound distribution, and high-level output. Both models contain a high-efficiency compression driver with maximum acoustic conversion efficiency. (A quality which reduces number of units needed to attain specified sound pressure levels and provides substantial savings in amplification-power requirements and labor costs.)

Die-cast, water-sealed construction withstands vandalism, vermin, moisture, corrosion, and vibration during indoor or outdoor use. Selection includes a basic 8-ohm version and 70.7 or 25-volt transformer models with DC blocking capacitor. All models terminate via barrier strips. Models 2960 and 2963 are surface-mount units and require 3050B backbox.

### Applications

Audible signaling devices in protective warning and intercom systems, for public area emergency communications, and as communication system loudspeakers in multi-occupancy and extended space areas (i.e., high-rise residences, public buildings, healthcare and educational facilities, shopping areas,



Models 2960 & 2963

athletic clubs, transportation terminals). All units are suitable for stationary or mobile use, indoors or outdoors. High-power, 15-watt models are ideal for use in commercial and heavy-duty industrial applications. When used with compatible control equipment, the 2960 & 2963 comply with UL Standard 1480 (Speakers for Fire Protective Signaling Systems) and California State Fire Marshal (Title 19).

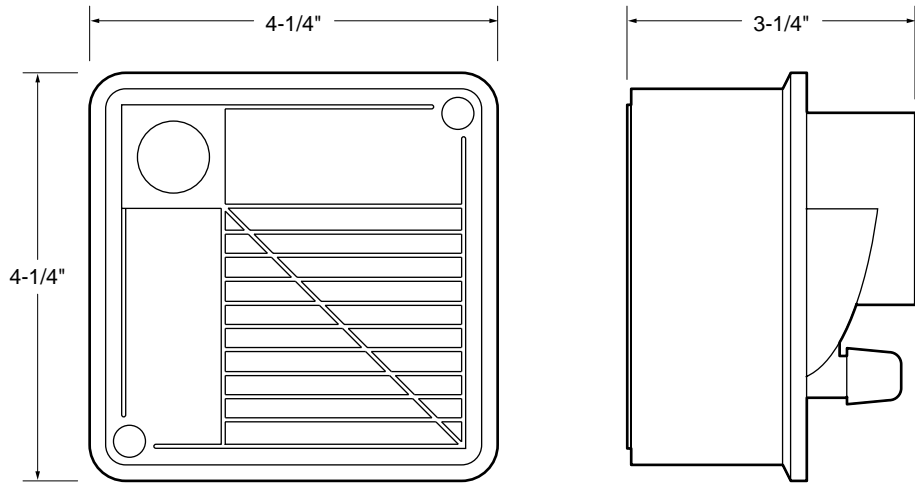
### Engineering Specification

Audible signalling device shall be a Faraday Model 2960 or 2963 (surface mount). Continuous power rating shall be (15, 8, 4, 2, 1 watts) at rated power. Frequency response shall be 600 to 5500 Hz ( $\pm 5$  dB). Sensitivity shall be 96.9 dB (at 1 watt, 1 meter). Sound pressure level shall be \_\_\_\_\_ at a distance of \_\_\_\_\_ (see Sound Level Reference Index). Dispersion shall be greater than 190° (-6dB point, 1 and 2 kHz octave bands). Model shall be water/moisture sealed and constructed of die-cast zinc. Unit shall operate within the temperature range of 150°F (66°C) to -30°F (-35°C). 2960/2963 shall be installed in a 3050 standard 4" SQ E.O. Box. Dimensions shall be: 4-1/4" SQ. x 3-1/4" D (108 x 83mm); red or neutral gray.

**Specifications**

**Environmental**  
 -30°F to 150°F (-35°C to 66°C)  
**Transformer**  
 25V or 70.7V  
**Power Taps**  
 2960: 1 & 2W  
 2963: 2, 4, 8 & 15W  
**Frequency Response**  
 600Hz-5500Hz (+/- 5dB)  
**Dispersion**  
 > 190° (-6dB pt., 1 and 2 kHz octave bands)  
**Sensitivity**  
 96.9dB (1W, 1 meter)  
 UL: 90dB (1W, 10 feet) 3dB increment rating  
**Mounting**  
 3050 surface exterior backbox only  
**Shipping Weight**  
 4 lbs. approx.

**Physical Dimensions**



**Sound Level Reference Index** (Based on UL Rating of 90 dB at 1 Watt, 10 feet)

Distance	15W Input	8W Input	4W Input	2W Input	1W Input
10 ft.	102.0 dB	99.0 dB	96.0 dB	93.0 dB	90.0 dB
20 ft.	96.0 dB	93.0 dB	90.0 dB	87.0 dB	84.0 dB
30 ft.	92.5 dB	89.5 dB	86.5 dB	83.5 dB	80.5 dB
40 ft.	90.0 dB	87.0 dB	84.0 dB	81.0 dB	78.0 dB
50 ft.	87.7 dB	84.7 dB	81.7 dB	78.7 dB	75.7 dB

**Ordering Information**

Part Number	Description
2960B-15-25V .....	25V, 1 & 2W taps, surface mount, grey
2960B-15-70V .....	70V, 1 & 2W taps, surface mount, grey
2960B-14-25V .....	25V, 1 & 2W taps, surface mount, red
2960B-14-70V .....	70V, 1 & 2W taps, surface mount, red
2963B-15-25V .....	25V, 2, 4, 8, 15W taps, surface mount, grey
2963B-15-70V .....	70V, 2, 4, 8, 15W taps, surface mount, grey
2963B-14-25V .....	25V, 2, 4, 8, 15W taps, surface mount, red
2963B-14-70V .....	70V, 2, 4, 8, 15W taps, surface mount, red
3050B-14 .....	Surface exterior backbox, red
3050B-15 .....	Surface exterior backbox, grey

© Faraday, LLC, 2002 – all rights reserved  
 Specifications subject to change without notice

These products are manufactured by Atlas/Soundier for Faraday.



805 S. Maumee Street  
 Tecumseh, MI 49286, U.S.A.  
**Phone:** (800) 465-7115  
**Fax:** (800) 552-3557  
**Web:** www.faradayllc.com

**WARNING** - The information contained in this document is intended only as a summary and is subject to change without notice. The devices described in this document have specific instruction sheets which cover various technical, limitation and liability information. Copies of these instruction sheets and the General Product Warning and Limitations Document, which also contains important information, are provided with the product and are available from the Manufacturer. Information contained in these documents should be consulted before specifying or using the product. For further information or assistance concerning particular problems contact the Manufacturer.