

Model FireWatch II+2 Fire Alarm System Control

Features

- 4 Zone Non-Expandable Construction
- 4 Style "B" (Class B) Initiating Device Circuits
- 1 Style "Y" (Class B) Notification Appliance Circuit Rated @ 2-1/2 Amps max. @ 24 Vdc Nominal
- 120 Vac Primary Power Input
- Discrete Component Solid-State Design
- Built-In Surge Suppression
- Low Current Drain of Panel Minimizes Battery Ampere-Hour Requirements
- Supervision of Battery
- 2 or 4 Wire Smoke Detector Compatible
- Trouble Silence With Resound
- UL Listed
- Made in U.S.A.

Description

The Model **FireWatch II+2** will provide manual, automatic, waterflow alarm and supervisory service in one convenient control unit.

The FireWatch II+2 provides four Style "B" (Class B) initiating device circuits with one Style "Y" (Class B) notification appliance circuit.

It also features solid state component design and signaling circuitry capable of operating up to 2.5 amps. Other standard features include built-in surge suppression, trouble silence with resound, automatic short circuit disconnect on the signal circuit and trouble buzzer ring back.

Accessories include:

- **Limited City Tie Module** (15209) provides an alarm/trouble transmitter and a form "C" system trouble contact.
- **Annunciator Drive Module** (15212) provides a supervised annunciator output per zone capable of driving (21-28) Vdc LED indicators, a form "C" system trouble contact and a form "C" general alarm contact.
- **System Relay Module** (15217) provides a form "C" trouble contact and a form "C" general alarm contact. The module also contains a disconnect switch and a trouble/off-normal switch LED.
- **March Time/Temporal/Audio-Visual Module** (15213A) provides programming capabilities for the control unit's signal circuit.
- **Selectable City Tie Module** (15215) provides a supervisory/trouble transmitter, an alarm/trouble transmitter or a local energy city box trip circuit, a form "C" system trouble contact, and a form "C" general alarm contact.
- **Digital Communicator Interface Module** (15206) provides connection to **DC-100** or **DC-101** digital communicators.
- **Supervisory Switch Module** (15207) provides an NFPA required separate audible tamper switch off-normal buzzer with integral buzzer silence switch and yellow buzzer silenced LED indicator. Includes trouble buzzer re-ring.
- **System Diagnostic LED Readout Card** (15208) for no meter system troubleshooting.



Model FireWatch II+2

Specifications

Environmental

Operating temperature Normal:
32 - 120°F (0-49°C)
Relative humidity
85% @ 86°F

Primary Input Voltage

Primary Input Voltage: 120 Vac (50/60 Hz)
Maximum primary input current:
2.0 Amp at 120 Vac

Resettable Smoke Detector Power

Power Limited
Voltage Range: 24 Vdc nominal
Current Output: Up to 0.3Amp (limited by battery capacity)
Maximum Ripple: 1.2 V

Initiating Device Circuits

Power Limited
2/4 Style "B"/Class B
Standby voltage range: 16-28 Vdc
Maximum standby current: 7.6 mA
Maximum standby detector current: 3 mA
Maximum alarm current: 36 mA
Maximum ripple: 1.2 Vac
Maximum wire loop resistance: 100 ohms

Notification Appliance Circuits

Power Limited
Style "Y"/Class B
Maximum standby current: 0.47 mA
Alarm voltage: 24 Vdc nominal
Maximum alarm current: 2.5 Amp @ 24 Vdc
Maximum ripple: 16 Vac
Maximum loop drop voltage: 1.0 Vdc

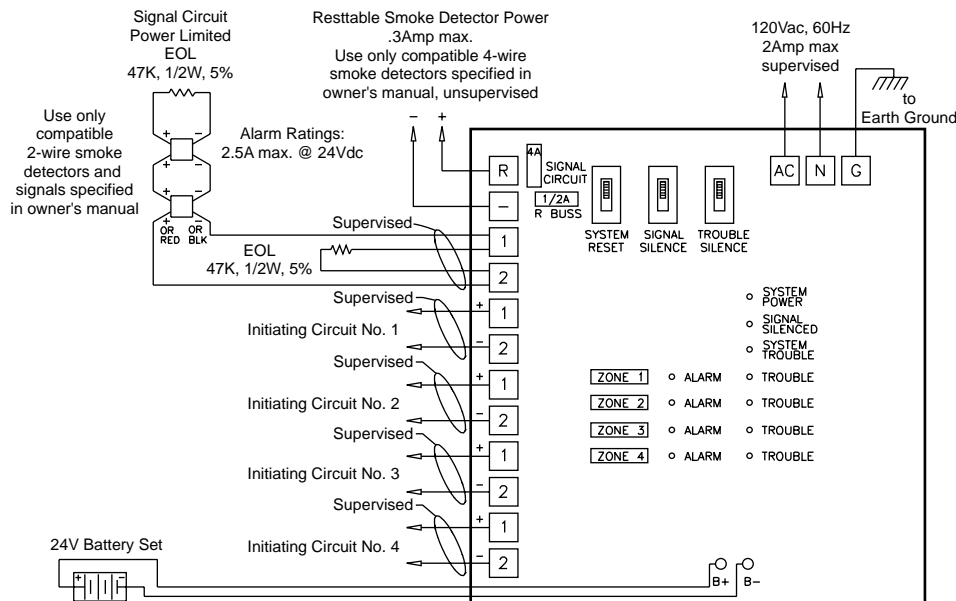
Enclosure Construction

Painted Steel, Red

Dimensions

14-5/8" (H), 14-5/8" (W), 5" (D)

Wiring



Ordering Information

Catalog No.	Order No.	Description
FireWatch II+2	15240A	Base Unit with Surface Cabinet

Accessories

15207	15207	Supervisory Switch Buzzer Module
15208	15208	System Diagnostic Card
15209	15209	Limited City Tie Module
15212	15212	Annunciator Drive Module
15213A	15213A	March Time/Temporal/ Audio-Visual Module
15215	15215	Selectable City Tie Module
15216-14	15216-14	Semi-Flush Collar
15217	15217	System Relay Module
15219	15219	Zone Relay Module
15206	15206	Digital Communicator Interface Module

© 2000 Faraday, LLC, all rights reserved



Faraday, LLC
805 South Maumee Street
Tecumseh, Michigan 49286
Phone: (517) 423-2111
Fax: (517) 423-2320
Web: www.faradayllc.com

WARNING - The information contained in this document is intended only as a summary and is subject to change without notice. The devices described in this document have specific instruction sheets which cover various technical, limitation and liability information. Copies of these instruction sheets and the General Product Warning and Limitations Document, which also contains important information, are provided with the product and are available from the Manufacturer. Information contained in these documents should be consulted before specifying or using the product. For further information or assistance concerning particular problems contact the Manufacturer.