

Weatherproof Clear-Speak Plus Model 2946 Speakers and 2947 Speaker Strobes for outdoor use

Features

- **The Adapter** feature offers four field selectable candela values - 15/75, 30/75, 75 or 110
- Strobe operates in either sync or non-sync modes
- Clear audio reproduction with selectable audio power taps (1/16, 1/8, 1/4, 1/2, 1, 2 & 4 watts)
- Speakers are field selectable for 25V or 70V audio
- Strobes meet ADA guidelines
- UL 1480 & UL 1971 indoor UL 1638 outdoor listed
- ADA/NFPA/ANSI compliant
- Strobe synchronization requires the **5406 Sync Control Module**
- Terminals accept 12 awg wire
- Made in USA, ISO quality crafted



2946 Speaker



2947 Speaker Strobe



MT-SUR-Box

Description

The **Clear-Speak™ Plus** model **2947** speaker strobe is listed under UL 1971 for signaling devices for the hearing impaired for indoor use and UL 1638 for outdoor use. All models are listed under UL 1480 for speaker appliances for fire alarm systems. They are designed for multiple power requirements with high dBA output at each power tap. These speakers incorporate a high efficiency speaker for maximum output at minimum power across a frequency range of 400 to 4000 Hz.

The Adapter feature offers four field selectable candela settings - 15/75, 30/75, 75 or 110.



Detail - Adapter selector switch

The strobes use a Xenon flashtube with solid state circuitry for maximum reliability and efficiency. The strobes have a modern rounded dome shape made of clear polycarbonate for maximum performance.

Engineering Specifications

The audible/visual notification appliances for outdoor use shall be Faraday 2947 Selectable Candela Strobe - Speaker, or approved equal. The audible appliances shall be Faraday 2946 Speaker or approved equal. The 2947 visual segment shall be the Adapter Selectable Candela Strobe and shall be listed to UL1971 (Standard for Safety Signaling Devices for the Hearing Impaired) indoor use and UL 1638 for outdoor use. The 2946 and 2947 speakers shall be UL listed under Standard 1480 (Fire Protective Service). The appliances shall be listed for indoor and outdoor applications and shall be ADA/NFPA/ ANSI compliant.

The strobe segment of the Series 2947 shall produce a flash rate of one (1) flash per second over the Operating Voltage Range Limits. The strobe shall consist of a xenon flash tube enclosed in a rugged clear polycarbonate lens. The strobe shall be of a low current design, and shall provide a minimum of four (4) field selectable strobe intensity settings, 15/75, 30/75, 75, and 110 candela. All settings shall be UL1971 listed for both wall and ceiling mount applications. The selector switch shall be tamper resistant. It shall not be necessary to remove the appliance from the mounting surface to select the strobe intensity. When strobe synchronization is required, the Strobe shall be compatible with the Faraday 5406 Sync Module, or other source of Faraday Sync Protocol, and shall not drift out of synchronization. Inputs shall be compatible with standard reverse polarity circuit supervision by an FACP.

The speaker and strobe speaker appliances shall have a 25 or 70VRMS audio input line matching field selectable transformer, and shall have field selectable power taps of 1/16, 1/8, 1/4, 1/2, 1, 2 and 4 watts. All versions shall have a UL listed sound output of 75 dBA at the 1/16 watt setting.

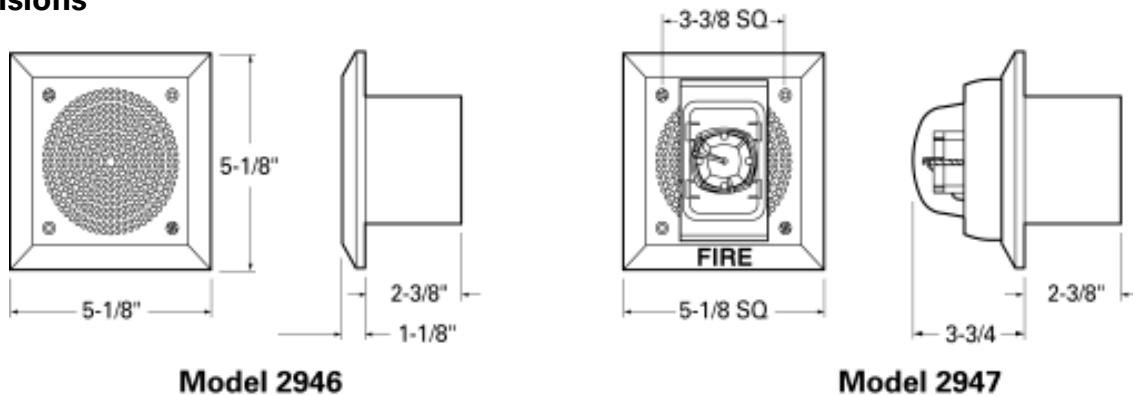
The Faraday speaker and speaker-strobe appliances shall be designed for wall or ceiling mounting.

The 2946 and 2947 shall have a square grille for mounting to the MT-SUR-BOX outdoor surface back box.

Applications

- For Emergency Voice Evacuation Systems.

Dimensions



Specifications

Environmental

Indoor: 32°F to 120°F (0°C to 49°C) with 85% humidity

Outdoor: -31°F to 150°F (-35°C to 66°C) with a humidity of 98% RH +/- 2%

Primary Input Voltage

Speaker Transformer: 25V or 70V, field selectable

Strobe: Operating voltage range limits 16-32 Vdc or VFWR

NOTE: These strobes are UL listed and rated as "special application", which represents appliances which have been investigated to operate as described in the product's installation instructions over the voltage range of 16-32 VDC or VFWR.

Mounting

MT-SUR-BOX

Surface Backbox

Shipping Weight (approx.)

2946: 2 lbs.

2947: 2.75lbs.

Typical dB Rating @ 10ft.*

1/16W: 79 dB typical

1/8W: 82 dB typical

1/4W: 85 dB typical

1/2W: 87 dB typical

1W: 89.8 dB typical

2W: 92.9 dB typical

4W: 95 dB typical

(UL Rating @ 10ft.)

(75 dB UL)

(78 dB UL)

(81 dB UL)

(84 dB UL)

(87 dB UL)

(90 dB UL)

(93 dB UL)

*Typical readings are frontal sound readings taken with a dB meter with signal mounted on wall. Readings, however, are not made in accordance with UL testing procedures and represent realistic use of the product.

Ordering Information

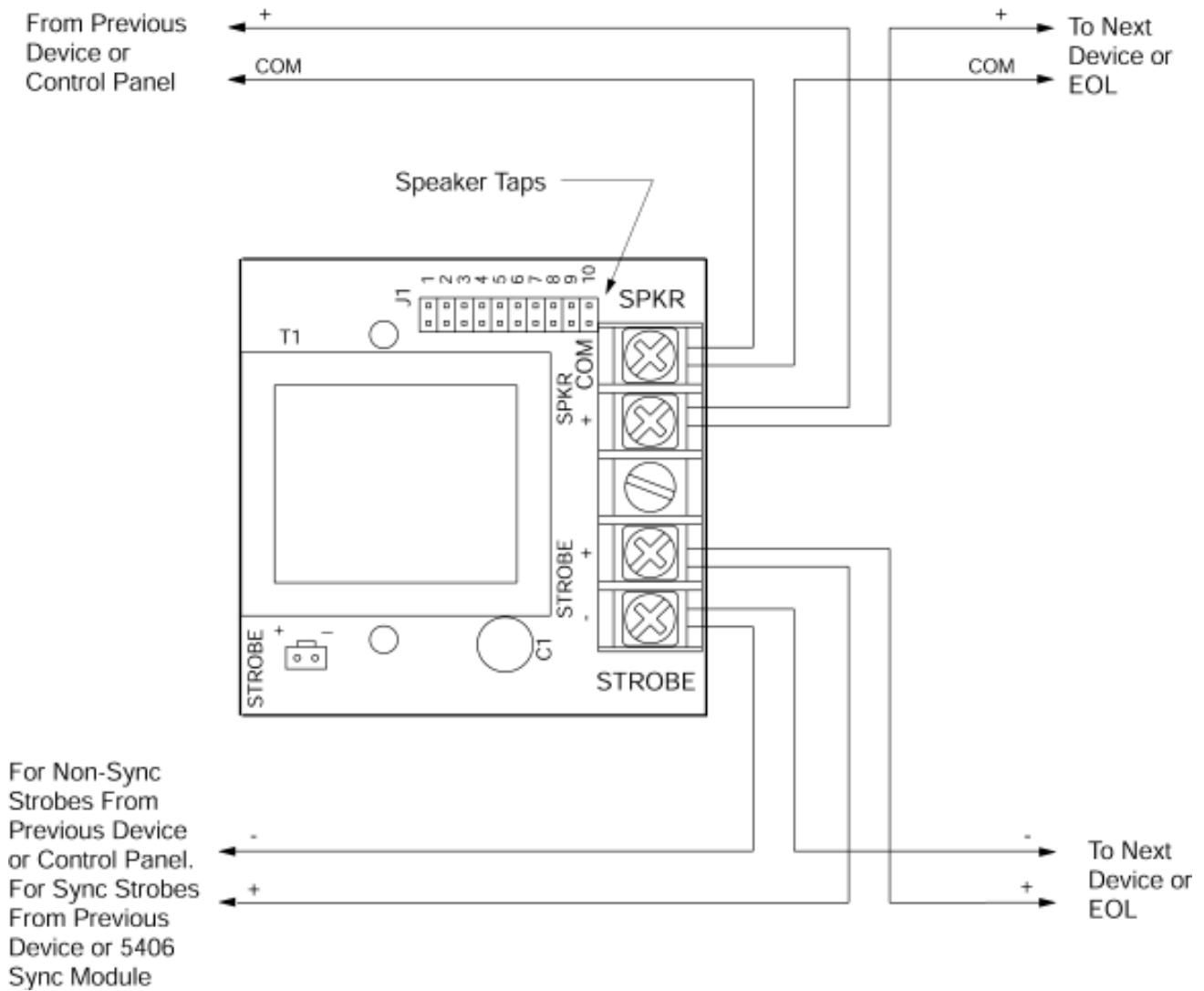
Clear-Speak-Plus™ Speaker and Speaker Strobes

Model	Description	Candela	Strobe Current @ 24 Vdc	Part No.
2946B-14	Speaker, Metal Grill red	N/a	N/a	500-649320FA
2947B-14	Speaker Strobe, Metal Grille Red	15/75, 30/75, 75 or 110 Cd	63 mA, 84 mA, 143 mA, 178 mA	500-649310FA

Accessories

Model	Description	Part No.
MT-SUR_BOX	Outdoor backbox RED	500-693168

Typical Wiring



Siemens Building Technologies, Inc.
 8 Fernwood Road • Florham Park, NJ 07932
 Tel: (973) 593-2600 • Fax: (973) 593-6670
 Web: www.faradayfirealarms.com

WARNING - The information contained in this document is intended only as a summary and is subject to change without notice. The devices described in this document have specific instruction sheets which cover various technical, limitation and liability information. Copies of these instruction sheets and the General Product Warning and Limitations Document, which also contains important information, are provided with the product and are available from the Manufacturer. Information contained in these documents should be consulted before specifying or using the product. For further information or assistance concerning particular problems contact the Manufacturer.