

Fire Alarm Accessory Devices - 712 Series

Features

- UL Listed as Control Unit Accessory.
- UL recognized relays rated at 10,000,000 mechanical operations.
- Each relay position may be energized from one of four input voltages.
- Each relay position contains a red LED, which illuminates when the coil is energized. This provides a time saving convenience when checking an installed system; no metering is required.
- Single, dual or triple relay modules may be “snapped apart” from a standard 4 position master.
- SPDT or DPDT relays available.

Description

The 712 series Multivoltage Control Relays offer SPDT or DPDT 10 amp contacts, which may be operated by one of four input control voltages. A single relay may be energized from a voltage source of 24 VDC, 24 VAC, 115 VAC or 230 VAC by wiring to appropriate input terminals.

Each relay position contains a red light emitting diode (LED), which indicates the relay coil is energized. Relays may be “snapped apart” from a standard 4-module assembly and used independently.

These devices are ideal for applications where local contacts are required for system status, remote contacts for control of electrical loads and general purpose switching. They are suitable for use with H.V.A.C., Temperature Control, Fire Alarm, Security, Energy Management, and Lighting Control Systems.

Technical Data

Power Requirements

712-1/4: Each Position—
0.015 Amps @ 24 VAC, 24 VDC, 115 VAC, 230 VAC

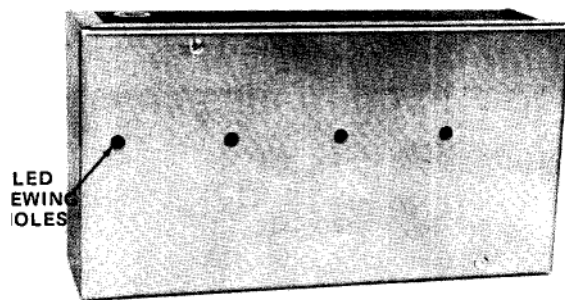
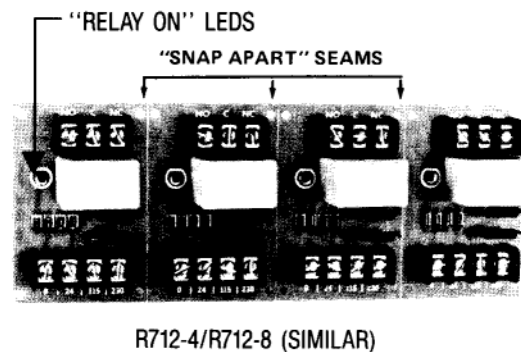
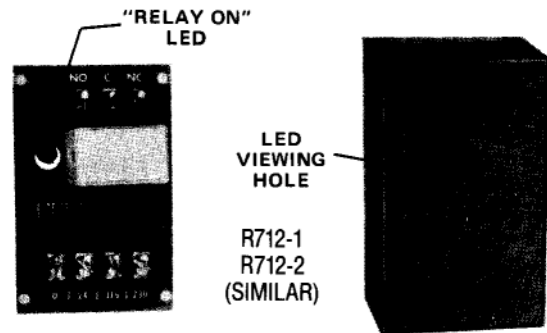
712-2/8: Each Position—
0.035 Amps @ 24 VAC, 24 VDC, 115 VAC, 230 VAC

Relays

712-1/4: UL recognized SPDT
712-2/8: UL recognized DPDT

Enclosure

Stainless Steel — Brushed finish — 1/2" Conduit Knockouts (Top & Bottom)



712 Remote Relay Units

Contact Rating
10.0A @ 115 VAC

Ambient Temperature
-50°C to + 85°C

Approvals
UL Listed control unit accessory

Dimensions
712-1/2: 6.125" (130.2mm) H x 3.25" (82.6mm) W x 2.5" (63.5mm) D

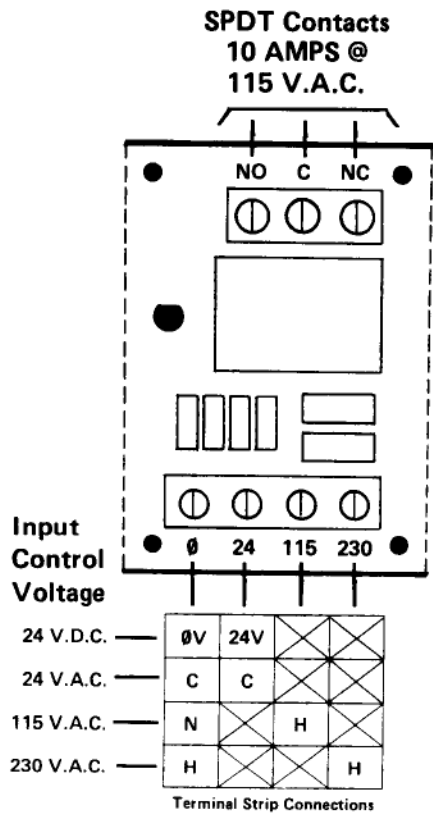
712-4/8: 6.125" (130.2mm) H x 9.5" (241.3mm) W x 2.5" (63.5mm) D

Ordering Information

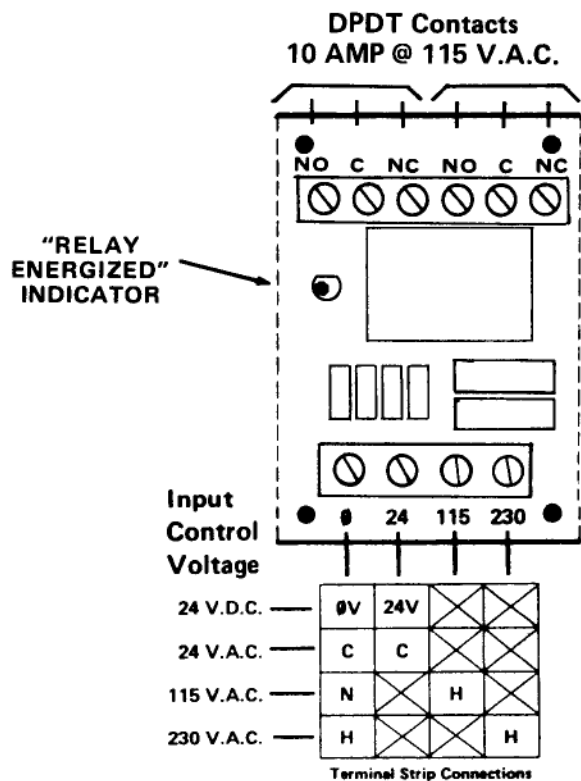
Model	Description	Part No.
712-1	Single SPDT Relay with LED mounted in metal enclosure	500-699668FA
712-2	Single DPDT Relay with LED mounted in metal enclosure	500-699669FA
712-4	4-Position SPDT Relay with LEDs mounted in metal enclosure	500-699670FA
712-8	4-Position DPDT Relay with LEDs mounted in metal enclosure	500-699671FA

Installation Wiring

(Typical for one module position)



**R712-1
R712-4**



**R712-2
R712-8**



Siemens Building Technologies, Inc.
8 Fernwood Road • Florham Park, NJ 07932
Tel: (973) 593-2600 • Fax: (973) 593-6670
Web: www.faradayfirealarms.com

WARNING - The information contained in this document is intended only as a summary and is subject to change without notice. The devices described in this document have specific instruction sheets which cover various technical, limitation and liability information. Copies of these instruction sheets and the General Product Warning and Limitations Document, which also contains important information, are provided with the product and are available from the Manufacturer. Information contained in these documents should be consulted before specifying or using the product. For further information or assistance concerning particular problems contact the Manufacturer.