

# Model 713-1 Remote Series Relay Unit

## Features

- UL Recognized relays
- 2 Parallel Wired SPDT Relays
- Usable for interfacing with 2.5 AMP 120 VAC Series wired signal circuits
- 5V @ 2.5 amp voltage drop
- 16 GA cadmium plated steel enclosure with .5 in knockouts top and bottom
- Rated for indoor use
- Provides 2 dry "C" form contacts
- Removable cover for easy wiring
- Conforms to UL standard #864
- Contacts rated 5.0 amp @ 120VAC
- Made in USA



**713-1 Remote Series Relay Unit**

## Description

The 713-1 remote relay unit provides the means to accomplish supervised trip control of remote devices such as fans, doorholders, elevators, dampers, etc. from an existing 2.5 amp series signal circuit. By installing the 713-1 relay on a series signal circuit, the unit will be supervised in the stand-by condition as the existing signals are. When the signal circuit operates the 713-1 relays will also transfer. The 713-1 will remain operated until the signal circuit is silenced and/or the system is reset to the normal stand-by condition.

## Specifications

### Operate Power

2.5 amp @ 60 HZ

### Voltage Drop

5.0 VAC @ 2.5 AMP

### Application

Series wired circuits

### Contact Type

2 SPDT. "Dry" form "CA" (N.O./Arm/N.C.)

### Temperature

0° to +49°C (indoor)

### Enclosure

16 GA Cad plated CRS

## Knockouts

1/2" Conduit top and bottom

## Cover

Removable vented

## Mounting

Surface only

## Connections

Positive clamping screws

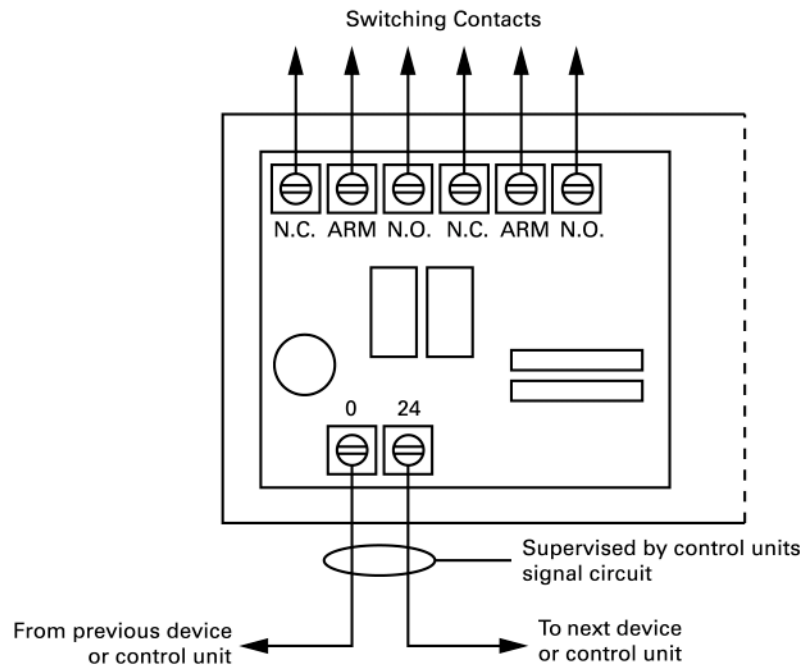
## Dimensions

2-9/16" (H), 9-5/8" (W) & 5-1/16" (D)

## Ordering Information

Model	Description	Part No.
713-1	Remote Series Relay Unit	500-699672FA

## Wiring



Siemens Building Technologies, Inc.  
8 Fernwood Road • Florham Park, NJ 07932  
Tel: (973) 593-2600 • Fax: (973) 593-6670  
Web: [www.faradayfirealarms.com](http://www.faradayfirealarms.com)

**WARNING** - The information contained in this document is intended only as a summary and is subject to change without notice. The devices described in this document have specific instruction sheets which cover various technical, limitation and liability information. Copies of these instruction sheets and the General Product Warning and Limitations Document, which also contains important information, are provided with the product and are available from the Manufacturer. Information contained in these documents should be consulted before specifying or using the product. For further information or assistance concerning particular problems contact the Manufacturer.