

Fire Alarm Initiating Device – 8858/ 8859

Features

- UL Listed
- Dry Contact Self-Restoring Detector
- Rate Compensation/Fixed Temperature Type
- Standard 3" Electrical Box Mounting
- Screw-Clamp Terminals
- CSFM and NYMEA Approved
- Quality Crafted in the U.S.A.

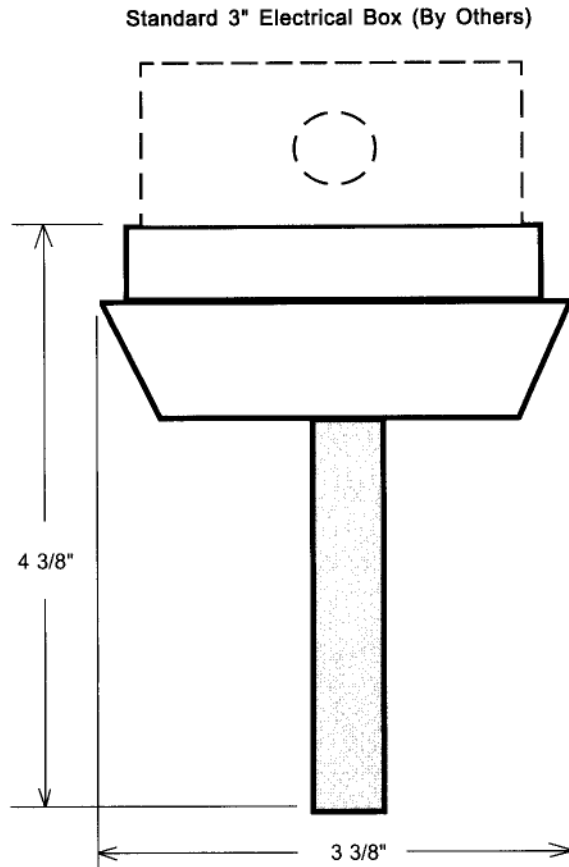
General

The Faraday Thermal Fire Detector is of the rate compensation/fixed temperature type and is surface mounted to a standard 3" electrical box. The detector element is self-restoring and is of dry contact type. The contacts are rated for 6-125 Vac, 5 amps; 6-25 Vdc, 1 amp; 125 Vdc, 0.5 amps. The thermal rating is 135°F for the 8858 and 200°F for the 8859.

Description

The detector consists of an aluminum tubular shell containing two curved expansion struts under compression fitted with a pair of normally open, opposed contact points which are insulated from the shell. The tubular shell and struts have a different coefficient of expansion. When subjected to a rapid heat rise, the tubular shell expands and lengthens slightly. At the same time the interior struts lengthen but at a slower rate than the shell. The rapid lengthening of the shell allows the struts to come together, thereby closing the contact points and initiating the alarm.

When subjected to a very slow heat rise, the tubular shell and the interior struts lengthen at approximately the same rate. At the detector set temperature point of 135°F or 200°F, the interior struts are fully extended, thereby closing the contact points and initiating the alarm.



8858/8859 Heat Detector

These heat detectors, which are shock and corrosion resistant, only respond to heat, so they are suitable for use in areas where normal conditions would prohibit the use of other types of detectors.

When connected to Faraday equipment, the detector is fully compatible with Faraday ionization detectors, photoelectric detectors, flame detectors, and manual stations.

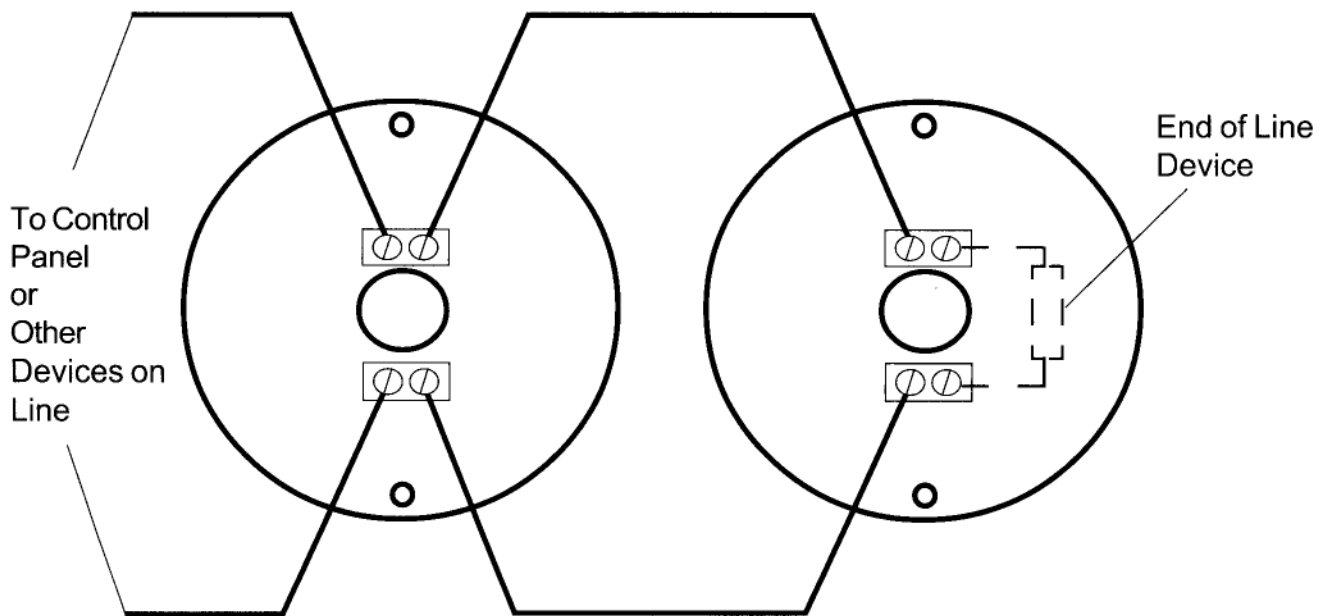
Electrically, any number of thermal detectors can be used in a circuit. The limit is only subject to the practical considerations of job conditions and engineering judgment.

Ordering Information

Compatible Detectors

Model	Description	Part No.
8858B	Heat Detector, 135° Rate Compensation/Fixed Temperature (Dry N.O. Contact)	500-017585FA
8859B	Heat Detector, 200°F Rate Compensation/Fixed Temperature (Dry N.O. Contact)	500-017586FA

Wiring



8858/8859 Heat Detectors



Siemens Building Technologies, Inc.
8 Fernwood Road • Florham Park, NJ 07932
Tel: (973) 593-2600 • Fax: (973) 593-6670
Web: www.faradayfirealarms.com

WARNING - The information contained in this document is intended only as a summary and is subject to change without notice. The devices described in this document have specific instruction sheets which cover various technical, limitation and liability information. Copies of these instruction sheets and the General Product Warning and Limitations Document, which also contains important information, are provided with the product and are available from the Manufacturer. Information contained in these documents should be consulted before specifying or using the product. For further information or assistance concerning particular problems contact the Manufacturer.