


Model 5406 Dual Synchronization Control Module

Features

- Standard 4" square back box mounting
- Synchronizes The Adapter™ series field selectable candela strobes
- Synchronizes Faraday models 2830, 2831 & 2836 horns and 2834, 2837 horn/strobes
- Sync temporal horn silence while strobes continue on 2 wires
- Output configuration can be two Style Y, (class B) or one Style Z (class A) notification circuit(s) up to 3A per circuit
- Usable on any listed polarity reversal type notification appliance circuit (NAC)
-  UL 1971 listed, CSFM listed, ULC and MEA approvals
- Terminals accept up to #12 awg wire
- Made in USA, ISO 9001 Quality Crafted

Description

The **5406** Dual Sync Control Module provides synchronization of the Faraday Adapter field selectable candela strobes and synchronization and silenceability to 2830 series electronic audible signals.

When connected to a polarity reversal notification appliance circuit, there is supervision of the wiring from the FACP through the 5406 to the End-of-Line device. The 5406 triggers the strobes to flash at a rate of 1 flash per second. The 5406 also provides a synchronized temporal or march time horn pattern when used with the Faraday series 2830, 2831 & 2834. These audible signals may also be silenced while the strobes continue to flash, all on two wires.

The module can support two Style Y (class B) or one Style Z (class A) notification appliance circuit(s). The 5406 may be alternatively configured to synchronize audible conventional notification appliances in a conventional march time or temporal horn pattern from steady 24 Vdc NACs.

NOTE: These notification appliances are UL listed and rated as "special application", which represents appliances which have been investigated to operate as described in the product's installation instructions over the voltage range of 16-32 VDC or VFWR.



Model 5406

Engineering Specifications

The synchronization modules shall be Faraday Series 5406. The sync module shall be listed to UL1971 (Standard for Safety Signaling for the Hearing Impaired). The Series 5406 shall be specifically designed to be compatible with Faraday notification appliances which are equipped with the Faraday Adapter series field selectable strobes, as well as Faraday Series 2834, 2837 Horn-Strobes, and Faraday Series 2830, 2831 and 2836 Horns. When controlling NAC's that have these Faraday notification appliances, all strobes shall be synchronized in the minimum 1 flash per second flash rate, and the Series 2830, 2831, 2836, 2834 and 2837 horns shall be synchronized in the field selectable march time or temporal horn pattern. In addition, it shall be possible to silence the 2830, 2831, 2836, 2834 and 2837 horns while the strobes continue to flash.....all on 2 wire circuits. The module shall have provision to control one class A (style Z) NAC, or two class B (style Y) NAC's. Each circuit shall be rated up to 3A at 24 Vdc. It shall be possible to interconnect up to 600 sync modules to insure mutual synchronization of appliances on multiple NAC's. Inputs shall be compatible with standard reverse polarity circuit supervision by an FACP.

The Faraday 5406 Sync Module can be alternatively field configured to synchronize conventional audible appliances in a march time or temporal pattern, when powered by steady 24 Vdc NAC's.

The module shall mount to a standard 4" square backbox, as well as Faraday 3046 and 3047 Surface Boxes.

Specifications

Environmental

32°F to 120°F (0°C to 49°C) with 85% humidity

Primary Input Voltage

16 to 32 Vdc or VFWR

Operating Current

55 mA

Mounting

Standard 4" square box

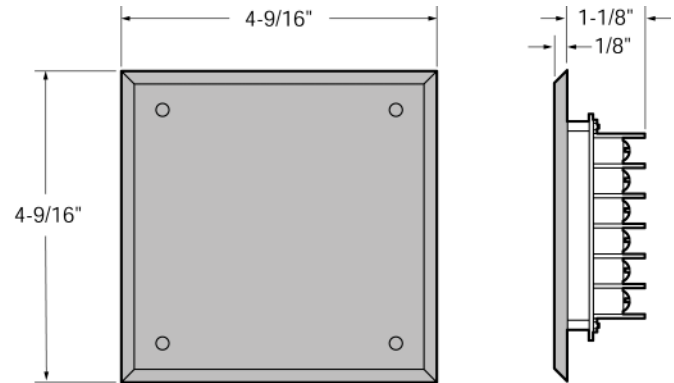
Output Current

3A max. per circuit (supplied by FACP)

Shipping Weight

10 oz. approx.

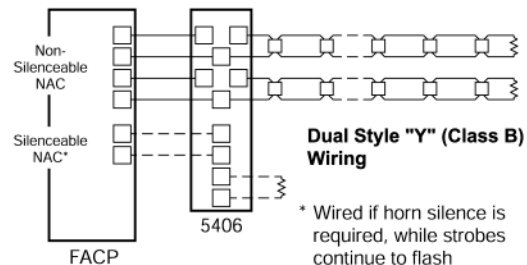
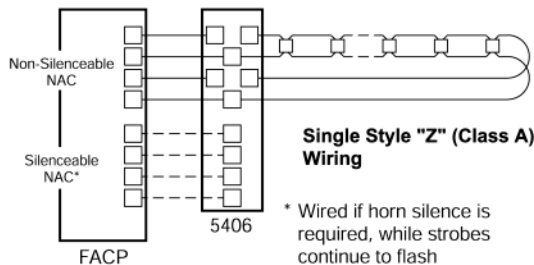
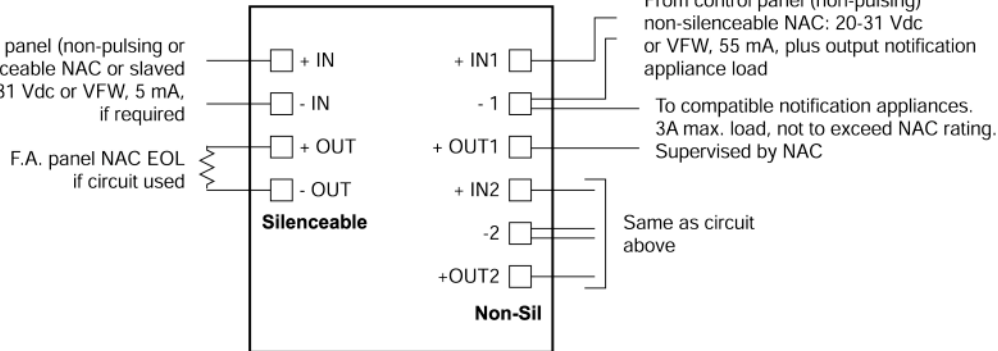
Physical Dimensions



Wiring

From control panel (non-pulsing or pulsing) silenceable NAC or slaved NAC: 20-31 Vdc or VFW, 5 mA, if required

F.A. panel NAC EOL if circuit used



Notes:

- 5406 Sync Module must be connected to 2 non-pulsing signal circuits with a steady current output and appropriate voltage.
- A third signal circuit is required to provide horn silence while strobes continue to flash.
- Audible and visual currents are combined together.
- The 5406 sync strobe control unit must be wired electrically before the strobes/signals.

Ordering Information

Model	Description	Part No.
5406B-0-14-24DC	Sync control module red	500-696872FA
5406B-0-21-24DC	Sync control module white	500-696873FA



Siemens Building Technologies, Inc.
8 Fernwood Road • Florham Park, NJ 07932
Tel: (973) 593-2600 • Fax: (973) 593-6670
Web: www.faradayfirealarms.com

WARNING - The information contained in this document is intended only as a summary and is subject to change without notice. The devices described in this document have specific instruction sheets which cover various technical, limitation and liability information. Copies of these instruction sheets and the General Product Warning and Limitations Document, which also contains important information, are provided with the product and are available from the Manufacturer. Information contained in these documents should be consulted before specifying or using the product. For further information or assistance concerning particular problems contact the Manufacturer.