

Vibrating or Single-Stroke Bells and Chimes

Features

- High dB output
- Noise cancellation circuitry
- AC or DC operation
- Vibrating or single stroke
- UL listed, ULC listed and FM approved

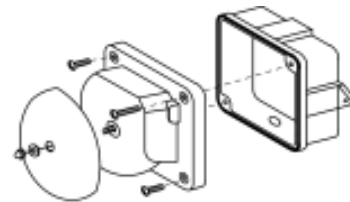
Description

Faraday's integral bell/chime design combines the bell mechanism with the gong/chime to make one unit. They are designed and built with special materials to provide loud resonant tones desirable in any signaling application. Three gong sizes and a chime kit are available to provide distinctive tones and to overcome different ambient noise levels.

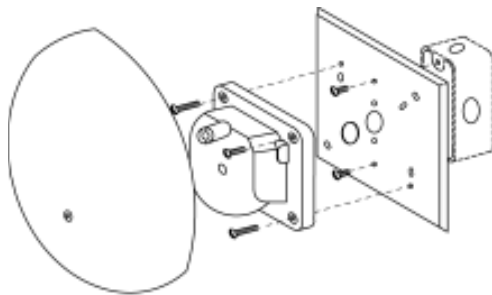
All units are designed for easy installation on a standard 4-inch square electrical box. Adapters allow surface, semi-flush, flush and weatherproof mounting. The single stroke devices are available in standard voltages of 16-32 Vdc. The vibrating devices are available in standard voltages of 120 Vac and 16-32 Vdc.



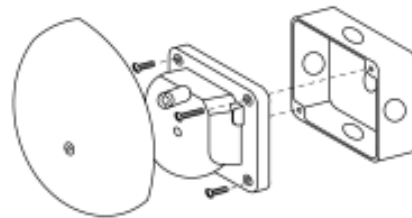
10" Bell, 4" Bell and Chime



4" Bell with 3014/3015 Box



10" Bell with 3019 Conduit Plate



6" Bell with 3017 Surface Box

Specifications

Environmental

Indoor: 32°F to 120°F (0°C to 49°C) with 85% humidity
 Outdoor: -31°F to 150°F (-35°C to 66°C) with 95% humidity. 3014/3015 back box required for outdoor use.

Primary Input Voltage (see below)

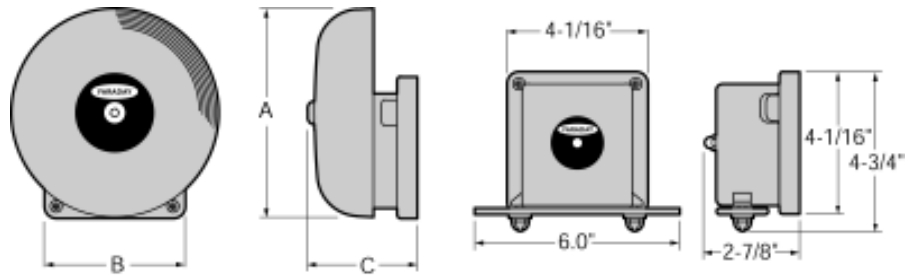
Listings and Approvals

UL 464 listed, file no. E4300
 ULC listed, file no. CS202
 (for all other listings and approvals, please consult factory)

Shipping Weight

10" bells, 4-3/4 lbs. approx.
 6" bells, 2-1/2 lbs. approx.
 4" bells, 1-3/4 lbs. approx.
 Chimes, 2-1/2 lbs. approx.

Bell & Chime Dimensions



Description	Dim A	Dim B	Dim C
10" Bell	10"	4-1/16"	3-1/4"
6" Bell	6"	4-1/16"	3-1/4"
4" Bell	4"	4-1/16"	2-7/8"

New Currents and Voltage Ranges Based on Revisions to UL Standard 464 Audible Devices

UL Listed Models and Ratings					UL Reverberant db @ 10 FT (Minimum)			
Models	Mechanism Type	Listing Operating Voltage Range	Voltage (V DC & FWR)	Maximum Operating Current	x=4 4"	x=6 6"	x=10 10"	x=5 Chime
446x	Vibrating	Special Application 16-32V DC or FWR	16	0.201A	75.5	80.4	79.9	**69.6
			24	0.288A	78.4	84.3	84.4	75.1
			32	0.355A	83.1	87.1	87.6	78.3
9727	Vibrating	Special Application 16-32V DC or FWR	16	0.201A	75.5	n/a	n/a	n/a
			24	0.288A	78.4	n/a	n/a	n/a
			32	0.355A	83.1	n/a	n/a	n/a
477x	Single Stroke	Special Application 16-32V DC or FWR	16	0.218A	64.9**	67.2**	69**	54.2**
			24	0.318A	68.7**	72.4**	74.7**	59.9**
			32	0.416A	70.6**	75	77.1**	64**
449x	Vibrating	120V AC, 60 HZ	----	0.045A	81	81	84	81
4416-4	Single Stroke	Special Application 4V AC, 60 Hz	----	2.5A	n/a	75	n/a	n/a
4416-7	Single Stroke	Special Application 7V AC, 60 Hz	----	1.5A	n/a	75	n/a	n/a

These bells were only tested to the operating voltage limits specified above. Do Not apply 80% and 100% of these values for system operation.

*Minimum db calculated from integrated sound power measurements at Underwriter's Laboratories per UL 464.

**Private Mode only.

The 449x series is for General Signaling only.

Ordering Information

Models 446x Vibrating Bells & Chime, DC, Parallel, 16-32 VDC

Model	Description	Part No.
4461B101424DC	Bell, 10", Red	500-694372FA
4466B61424DC	Bell, 6" Red	500-694374FA
4466B62124DC	Bell, 6" White	500-648525FA
4464B41424DC	Bell, 4" Red	500-694375FA
4464B42124DC	Bell, 4" White	500-648523FA
4465B01424DC	Chime Bar, Red	500-648408FA

Models 449x Vibrating Bells And Chime, AC, Parallel, 120 VAC

Model	Description	Part No.
4491B101412060	Bell, 10", Red	500-694377FA
4491B102112060	Bell 10", White	500-648410FA
4496B61412060	Bell, 6", Red	500-694379FA
4496B62112060	Bell, 6", White	500-648415FA
4494B41412060	Bell, 4", Red	500-648413FA
4494B42112060	Bell, 4", White	500-648526FA
4495B02112060	Chime Bar, White	500-648527FA

Mounting and Replacement Accessories

Model	Description	Part No.
3011B014	Extension Ring Red	500-694493FA
3014B014	Weather Proof Box-1/2" Conduit Red	500-694494FA
3014B015	Weather Proof Box-1/2" Conduit Gray	500-648486FA
3014B021	Weather Proof Box-1/2" Conduit Wht	500-695773FA
3015B014	Weather Proof Box-1/2" Conduit Red	500-694495FA
3015B015	Weather Proof Box-3/4" Conduit Gry	500-648487FA
3015B021	Weather Proof Box-3/4" Conduit Wht	500-695774FA
3017B014	Surface Or Flush Box Red	500-694496FA
3017B015	Surface Or Flush Box Gray	500-648488FA
3017B021	Surface Or Flush Box White	500-695775FA
3018B014	Semi-Flush Plate Red	500-694497FA
3018B015	Semi-Flush Plate Gray	500-648489FA
3018B021	Semi-Flush Plate White	500-695776FA
3019B014	Concealed Conduit Plate Red	500-694498FA
3019B015	Concealed Conduit Plate Gray	500-648490FA
3019B021	Concealed Conduit Plate White	500-695777FA

DC, Single Stroke Bells And Chime, Parallel, Polarized, 16-32 VDC

Model	Description	Part No.
4771B101424DC	Bell, 10", Red	500-694387FA
4776B61424V	Bell, 6", Red	500-694389FA
4776B62124V	Bell, 6", White	500-648530FA
4775B01424V	Chime Bar, Red	500-648421FA
4775B02124V	Chime Bar, White	500-648422FA

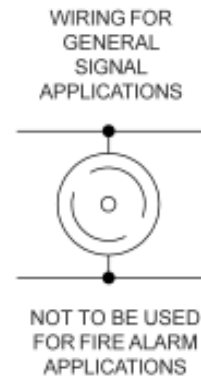
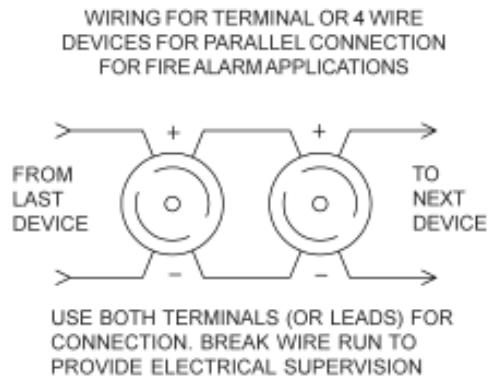
AC Single Stroke Bell Series, 4 VAC, 2.5 Amp

Model	Description	Part No.
4416B614460	Bell, 6", DBA Red	500-648392FA

AC Single Stroke Bell Series, 7 VAC, 1.5 Amp

Model	Description	Part No.
4416B614760	Bell, 6", 85 DBA Red	500-648393FA

Wiring Diagrams



Siemens Building Technologies, Inc.
8 Fernwood Road • Florham Park, NJ 07932
Tel: (973) 593-2600 • Fax: (973) 593-6670
Web: www.faradayfirealarms.com

WARNING - The information contained in this document is intended only as a summary and is subject to change without notice. The devices described in this document have specific instruction sheets which cover various technical, limitation and liability information. Copies of these instruction sheets and the General Product Warning and Limitations Document, which also contains important information, are provided with the product and are available from the Manufacturer. Information contained in these documents should be consulted before specifying or using the product. For further information or assistance concerning particular problems contact the Manufacturer.