

## Models 2700/2701 AC Strobes and 2705 Weatherproof Stand-Alone Strobes

### Features

- AC Units available with 110 candela strobes
- Weatherproof units available with 100 candela strobes
- 120Vac, non-synchronized versions
- 24Vdc/FWR non-synchronized or synchronized strobes
- Universal mounting plate - single gang, double gang or 4" square box (Model 2700)
- Meets ADA guidelines
- Models 2700 & 2701, UL 1971 listed for both wall and ceiling mount and Model 2705, UL 1638 listed for outdoor applications. CSFM, City of Chicago ULC and MEA approvals
- Made in U.S.A.
- Synchronized strobes require 5406 Sync Control Module



### Description

The **2700/2701/2705** strobes combine state of the art electronics to provide reliability and low current draw to meet visual life safety applications.

The 2700 strobes are constructed of light durable plastic and are available in two colors: red or off-white. The units design provides for easy installation with single gang, double gang or 4" square box mounting. The lens construction provides high candela output with a very low current consumption while meeting UL and ADA standards.

The 2701 units comes with the same strobe choices and is constructed of metal for mounting bell or chime bar devices to the plate.

The 2705 is used with either the 3014 or 3015 weatherproof back box for weatherproof applications.

The 2700/2701/2705 use a Xenon flashtube with solid state circuitry for maximum reliability and efficiency. Strobes have a rounded dome shape made of clear polycarbonate and "FIRE" letters are visible on the strobe housing. The overall lens is 2.0" x 2-7/8" with a height of 1-3/8".

2700 & 2705 versions use a terminal block which will accept 12 awg wire for easy installation and the 2701 uses a pigtail (4 wire) connection.

### Engineering Specifications

Notification devices shall be a Faraday Model 2700/2701 listed to standard UL 1971 for indoor hearing impaired applications. Strobe shall be wired as a Primary Signaling Notification Appliance. Strobe shall also comply with the Americans with

Disabilities Act (ADA) requirements for visible signaling appliances. 2705 weatherproof strobes shall be UL 1638 listed for outdoor applications.

The signaling strobe shall be powered from a non-coded power supply when powered with the horn or independently. Visual signaling devices are to be installed per plans and specifications. The strobe light shall consist of a xenon flash tube and associated lens with flash system. 2700 strobes

shall be capable of mounting to a 1, 2 Gang or 4" square backbox, 2701 strobes shall be mounted to a 4" square backbox and 2705 strobes mount to a weatherproof 4" square backbox (3014 or 3015 backbox).

**NOTE: These notification appliances are UL listed and rated as "special application", which represents appliances which have been investigated to operate as described in the product's installation instructions.**

## 2700 Specifications

### Environmental

32°F to 120°F (0°C to 49°C) at 85% RH

### Input Voltage

120 Vac

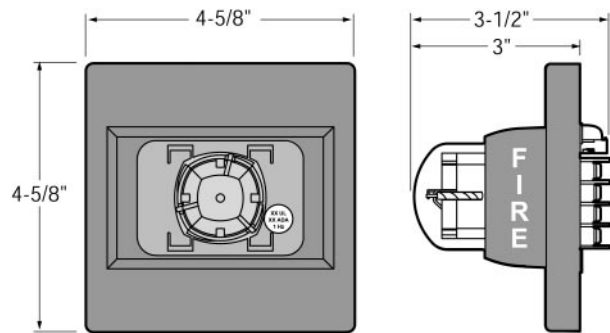
### Mounting

Integral universal mounting plate mounts to single gang, double gang or 4" square box. Screw terminals accept 12 awg wire

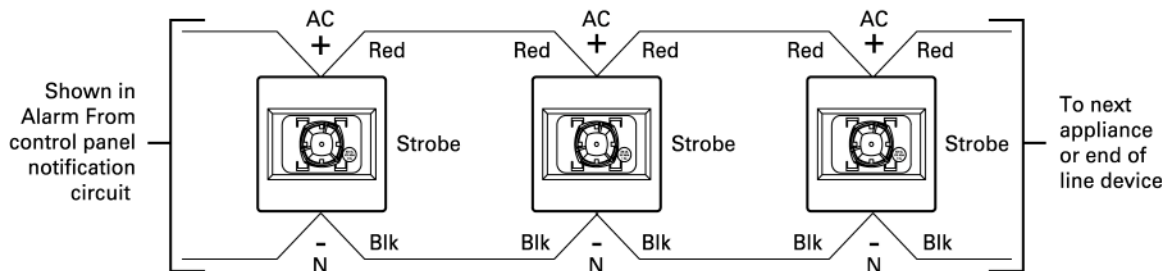
### Shipping Weight

9 oz. approx.

## 2700 Physical Dimensions



## Typical Wiring



## 2700 Ordering Information

### Stand-Alone Strobes

Model	Description	Voltage	Candela	Strobe Current	Part No.
2700B-L-14-120-60	Stand Alone Strobe - red	120 Vac	110 CD	73 mA	500-698916FA

### Accessories

Model	Description	Part No.
3017B-0-14	Flush or surface box - red	500-694496FA
3017B-0-21	Flush or surface box - white	500-695775FA
3046B-0-14	1.7 Dia. Surface box - red	500-695340FA
3046B-0-21	1.7 Dia. Surface box - white	500-695874FA
3048B	2.7" Dia. Flush box	500-695342FA

## 2701 Specifications

### Environmental

32°F to 120°F (0°C to 49°C) at 85% RH

### Input Voltage

120 Vac

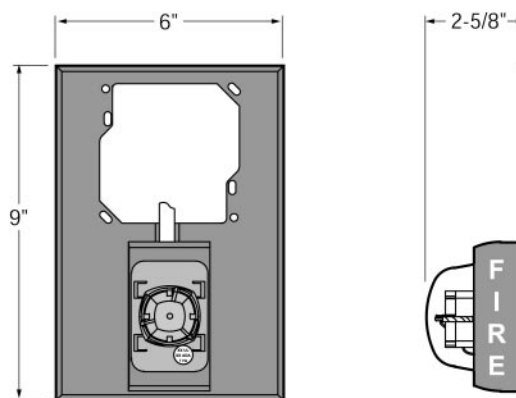
### Mounting

4" square box. Pigtail connection

### Shipping Weight

1 lb. approx.

## 2701 Physical Dimensions



## 2701 Ordering Information

### Signal Strobe Plates

Model	Description	Voltage	Candela	Strobe Current	Part No.
2701B-L-14-120-60	120 Vac, Non-synchronized - red	120 Vac	110 CD	73 mA	500-698928FA

### Accessories

Model	Description	Part No.
3017B-0-14	Indoor Surface or Flush box - red	500-694496FA

## 2705 Specifications

### Environmental

-37°F to 150°F (-35°C to 66°C) with 95% relative humidity max.

### Input Voltage

20-31 Vdc regulated or FWR and 120 Vac

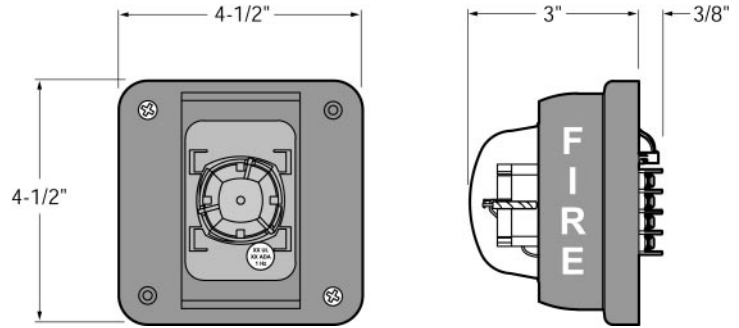
### Mounting

Use 3014B or 3015B box for weatherproof use. Screw terminals accept 12 awg wire

### Shipping Weight

2 lbs. approx.

## 2705 Physical Dimensions



## 2705 Ordering Information

### Weatherproof Stand-Alone Strobes

Model	Description	Voltage	Candela	Strobe Current	Part No.
2705B-Z-14-24-DC	24 Vdc, Synchronized - red	20-31 Vdc	100 CD	249 mA	500-696660FA
2705B-Z-21-24-DC	24 Vdc, Synchronized - white	20-31 Vdc	100 CD	249 mA	500-696661FA
2705B-L-14-24-DC	24 Vdc, Non-synchronized - red	20-31 Vdc	100 CD	249 mA	500-696658FA
2705B-L-21-24-DC	24 Vdc, Non-synchronized - white	20-31 Vdc	100 CD	249 mA	500-696659FA
2705B-L-14-120-60	red	120 Vac	100 CD	73 mA	500-698934FA

### Accessories

Model	Description	Part No.
3014B-0-14	Weatherproof box, 1/2" Conduit - red	500-694494FA
3014B-0-21	Weatherproof box, 1/2" Conduit - white	500-695776FA
3015B-0-14	Weatherproof box, 3/4" Conduit - red	500-694495FA
3015B-0-21	Weatherproof box, 3/4" Conduit - white	500-695774FA
5406B-14-24-DC	Sync control module - red	500-696872FA
5406B-21-24-DC	Sync control module - white	500-696873FA



Siemens Building Technologies, Inc.  
 8 Fernwood Road • Florham Park, NJ 07932  
 Tel: (973) 593-2600 • Fax: (973) 593-6670  
 Web: [www.faradayfirealarms.com](http://www.faradayfirealarms.com)

**WARNING** - The information contained in this document is intended only as a summary and is subject to change without notice. The devices described in this document have specific instruction sheets which cover various technical, limitation and liability information. Copies of these instruction sheets and the General Product Warning and Limitations Document, which also contains important information, are provided with the product and are available from the Manufacturer. Information contained in these documents should be consulted before specifying or using the product. For further information or assistance concerning particular problems contact the Manufacturer.