


Models 2700 Stand-Alone Strobe & 2701 Strobe Plate (Adapter Series)

Features

- The Adapter™ feature offers four field selectable candela strobe values - 15/75, 30/75, 75 or 110 for wall & ceiling mount
- Operates in either sync or non-sync modes
- Low current draw
- Integral universal mounting - single gang, double gang or 4" square box
- Colors – red or off-white
- ADA/NFPA/ANSI compliant
-  UL 1971 listed for both wall and ceiling mount – CSFM and ULC and MEA approved
- Made in USA, ISO 9001 certified
- A 5406 Sync Control Module is only required to activate the Instant Sync feature, nothing to set or change at the strobe unit



2700 Strobe

2701 Strobe Plate

Description

The **2700** and **2701** strobes combine state of the art electronics to provide reliability and low current draw to meet visual life safety applications. The Adapter feature offers four field selectable candela settings - 15/75, 30/75, 75 or 110.



Detail - Adapter selector switch

The integral universal mounting plate of the 2700 provides for easy installation with single gang, double gang or 4" square box mounting. The lens construction provides high candela output with low current consumption while meeting UL and ADA standards.

The 2701 provides the same strobe choices and is constructed of metal for mounting bell or chime devices to the plate.

The 2700 & 2701 use a Xenon flashtube with solid state circuitry for maximum reliability and efficiency. Strobes have a rounded dome shape made of clear polycarbonate.

The 2700 uses a terminal block which will accept 12 awg wire for easy installation and the 2701 uses a pigtail (4 wire) connection.

Typical Applications

- Signals for hearing impaired
- High noise areas where audible signals are ineffective
- Add strobes to existing bell installations where replacing the audible signal is not practical

Engineering Specifications

The visual notification appliances shall be Faraday Adapter Series 2700 or 2701 field selectable candela strobe appliance, or approved equal. They shall be listed to UL1971 (Standard for Safety Signaling Devices for the Hearing Impaired) for indoor applications, and shall be ADA/NFPA/ANSI compliant.

The strobe shall produce a flash rate of one (1) flash per second over the Operating Voltage Range limits of 16 to 32Vdc. The strobe light shall consist of a Xenon flash tube enclosed in a rugged, clear polycarbonate lens. Inputs shall be compatible with standard reverse polarity circuit supervision by an FACP. The Strobe shall be of low current design, and shall provide a minimum of four (4) field selectable strobe intensity settings, 15/75, 30/75, 75 and 110 candela. All settings shall be UL 1971 listed for both wall and ceiling mount applications. The selector switch shall be tamper resistant. It shall not be necessary to remove the strobe from the mounting surface to select the strobe intensity.

2700 Specifications

Environmental

32°F to 120°F (0°C to 49°C) at 85% RH

Operating Voltage Range Limits

16-32Vdc or VFWR

Mounting

Integral universal mounting plate mounts to single gang, double gang or 4" square box. Screw terminals accept 12 awg wire

Shipping Weight

9 oz. approx.

2701 Specifications

Environmental

32°F to 120°F (0°C to 49°C) at 85% RH

Operating Voltage Range Limits

16-32Vdc or VFWR

Mounting

4" square box. Pigtail connection

Shipping Weight

1 lb. approx.

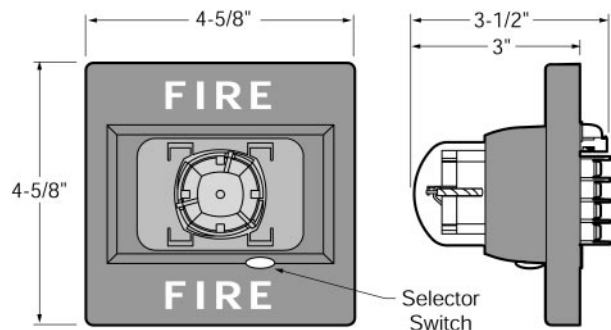
When synchronization is required, the strobe shall be compatible with the Faraday 5406 Sync Module, or other source of Faraday Sync Protocol, and shall not drift out of synchronization.

The Series 2700 Stand-Alone Strobe shall have an integral universal mounting plate that shall allow mounting to single-gang, two-gang, and 4" square backboxes, as well as Faraday 3046 and 3047 Surface Boxes. A cover trim plate shall be included to enhance appearance. There shall be no mounting holes or screw heads visible.

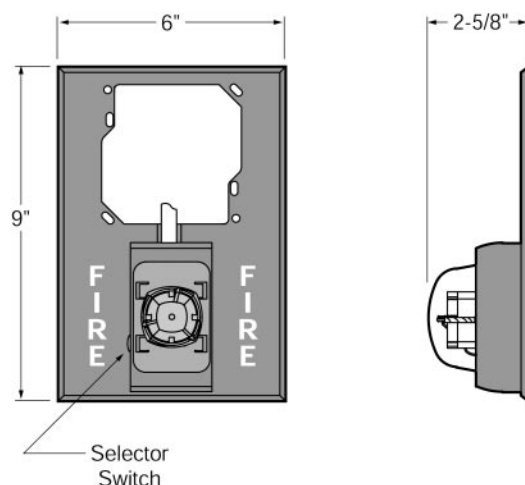
The Series 2701 Strobe Plate shall facilitate the addition of a strobe to a bell installation. The Strobe Plate shall mount to a 4" square backbox for flush mounting.

NOTE: These notification appliances are UL listed and rated as "special application", which represents appliances which have been investigated to operate as described in the product's installation instructions over the voltage range of 16-32 VDC or VFWR.

2700 Physical Dimensions



2701 Physical Dimensions



2700 Ordering Information

Stand-Alone Strobes

Model	Voltage	Candela	Strobe Current	Part No.
2700B-14-24 (field selectable candela)	16-32 Vdc	15/75	63 mA	500-699701FA
		3075	84 mA	
2700B-21-24 white (field selectable candela)		75	143 mA	500-699702FA
		110	178 mA	

Accessories

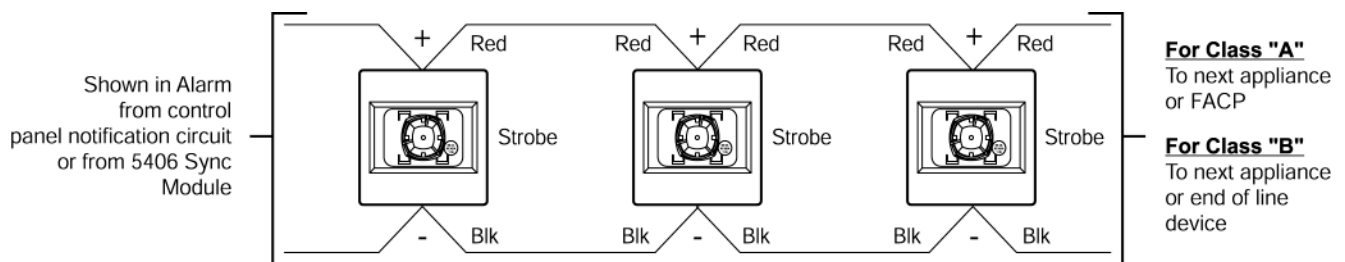
Model	Description	Part No.
3017B-0-14	Flush or surface box, 1-9/16" (D) red	500-694496FA
3017B-0-21	Flush or surface box, 1-9/16" (D) white	500-695775FA
3018B-0-14	Semi-Flush adapter plate red	500-694497FA
3018B-0-21	Semi-Flush adapter plate white	500-695776FA
3019B-0-14	Concealed conduit plate red	500-694498FA
3019B-0-21	Concealed conduit plate white	500-695777FA
3046B-0-14	Surface box, 1.7" (D) red	500-695340FA
3046B-0-21	Surface box, 1.7" (D) white	500-695874FA
3047B-0-14	Surface box, 2.7" (D) red	500-695341FA
3047B-0-21	Surface box, 2.7" (D) white	500-695875FA
3048B	Flush box, 2.7" (D)	500-695342FA
5406B-0-14-24-DC	Sync Control Module red	500-696872FA
5406B-0-21-24-DC	Sync Control Module white	500-696873FA

2701 Ordering Information

Signal Strobe Plates

Model	Voltage	Candela	Strobe Current	Part No.
2701B-14-24 (field selectable candela)	16-32 Vdc	15/75	63 mA	500-699703FA
		3075	84 mA	
2701B-21-24 white (field selectable candela)		75	143 mA	500-699704FA
		110	178 mA	

Typical Wiring





Siemens Building Technologies, Inc.
8 Fernwood Road • Florham Park, NJ 07932
Tel: (973) 593-2600 • Fax: (973) 593-6670
Web: www.faradayfirealarms.com

WARNING - The information contained in this document is intended only as a summary and is subject to change without notice. The devices described in this document have specific instruction sheets which cover various technical, limitation and liability information. Copies of these instruction sheets and the General Product Warning and Limitations Document, which also contains important information, are provided with the product and are available from the Manufacturer. Information contained in these documents should be consulted before specifying or using the product. For further information or assistance concerning particular problems contact the Manufacturer.