

140/141 Tri-Tone Electronic Horn

Features

- Three distinct tones
- Tone modules are not required
- 112 dB @ 10 feet
- Weather-proof
- 24 Vdc and 120 Vac
- UL 464 listed
- Made in U.S.A.

Description

The most versatile alert signal on the market today. Faraday horns, number 140 and 141, require no special separate stock of modules. The decision on tone selection is not required at the time of purchase. Three tones are built-in for convenience to tone selection at time of installation.

The Faraday tri-tone horns are highly applicable for use as an emergency alert, dismissal or evacuation alarm. With a sound output of 112 dB, they are also especially suited for high noise level areas such as steel mills, lumber yards, shipyards or any place where a distinct tone is required to vary from existing noise, or to distinguish from general alarms. The 141 horn is diode supervised for fire alarm use.

This unit is painted red or grey, easily mounts with four 1/4" bolts, and is completely weather-proof for outdoor applications.

Tone Selection

- Yowl
- Warble
- Siren

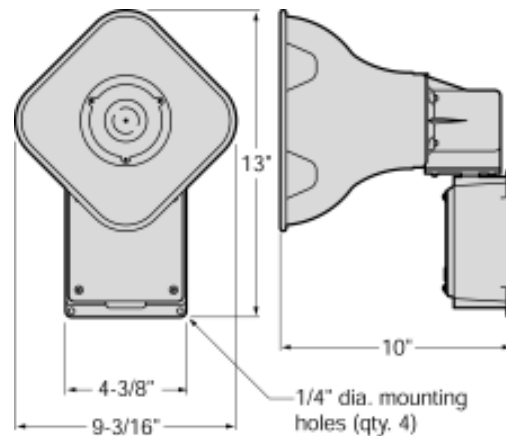
Ordering Information

Model	Description	Voltage	Amps	Hz	Typical dB @ 10 ft.	UL Rated dB	Part No.
140-0-0-120-60	Tri-tone horn, 120 Vac, grey	120 Vac	0.3	AC	112	93	500-648377FA
140-0-2-120-60	Tri-tone horn, 120 Vac, red	120 Vac	0.3	AC	112	93	500-648378FA
141-0-1-24-DC	Tri-tone horn, 24 Vdc, grey	24 Vdc	0.5	DC	112	93	500-648482FA
141-0-2-24-DC	Tri-tone horn, 24 Vdc, red	24 Vdc	0.5	DC	112	93	500-694470FA



Model 140/141 Horn

Dimensions



Specifications

Environmental

Indoor: 32°F to 120°F (0°C to 40°C with 92% humidity)

Outdoor: -31°F to 150°F (-25°C to 44°C) with 86% humidity



Siemens Building Technologies, Inc.
8 Fernwood Road • Florham Park, NJ 07932
Tel: (973) 593-2600 • Fax: (973) 593-6670
Web: www.faradayfirealarms.com

WARNING - The information contained in this document is intended only as a summary and is subject to change without notice. The devices described in this document have specific instruction sheets which cover various technical, limitation and liability information. Copies of these instruction sheets and the General Product Warning and Limitations Document, which also contains important information, are provided with the product and are available from the Manufacturer. Information contained in these documents should be consulted before specifying or using the product. For further information or assistance concerning particular problems contact the Manufacturer.