


X1 Series Model 8717 Air Duct Housing w/Relay

Features

- For 8710 & 8713 Detectors
- Alarm LED Visible from Front
- Clear Housing Cover for Quick Identification of Detector Type
-  Listed, CFSM and NYMEA Approved



Introduction

FARADAY air duct detector housings are designed to be used with 8710 & 8713 detectors. Designed for installation directly to heating, ventilating and air conditioning duct systems, they comply with National Fire Protection Association Standard No. 90A. When equipped with photoelectric detectors, these units will signal the presence of hazardous quantities of products of combustion or smoke being carried through the duct system. Air duct detectors are not intended to be substituted for open area detection.

8717 air duct housings are equipped with relays. These relays are utilized to operate any supplementary equipment when smoke or particles of combustion are detected.

With the MPC-6000 or 7000 control panels, up to 252 detectors per circuit having relays may be used.

Description

The 8717 air duct housing is uniquely designed to use the photoelectric detector.

8710 sensitivity may be viewed from the multi-color LED on the detector or preferably may be printed by command on an optional printer from the control panel. The multi-color LED on the 8710 flashes green to indicate the detector has passed its self test and is within its proper sensitivity

range. Yellow indicates either a "Trouble" condition or an "Out of Sensitivity" condition. Red indicates alarm.

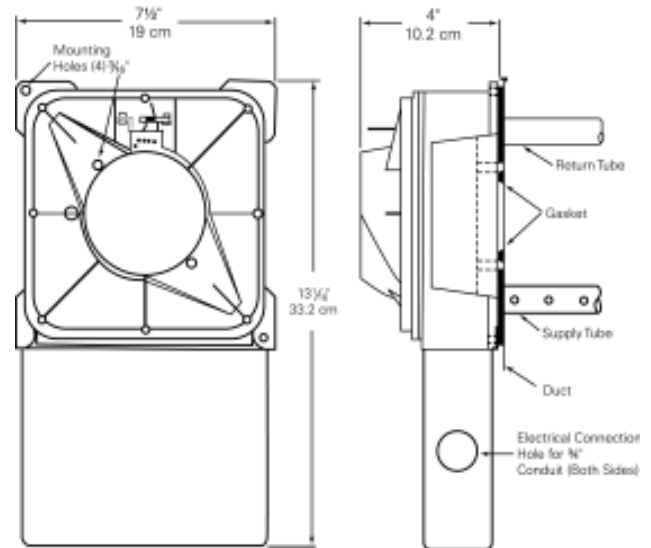
The detector unit employs a cross-sectional sampling principle of operation. Inlet sampling tubes are available in four lengths (see table on reverse side). Outlet sampling tubes are one common length. A continuous cross-sectional sample of air moving through the duct is taken. This averages the effects of laminar flow, stratification or skin effect phenomena occurring in the duct that could prevent combustion product or smoke (especially in large ducts) from reaching a spot type detector.

In addition, the unique design of the sampling chamber insures uniform sensitivity in air velocities, ranging from a low of 300 feet per minute to as high as 4000 feet per minute.

The inlet sampling tube length is determined by the width of the air duct being protected. The inlet tube nearest to but greater than the duct width should be used (see table). The inlet tube can then be trimmed at the job site to the exact width of the duct. The outlet sampling tube for all ducts, irrespective of width, has a fixed length of approximately 3 inches (7.5 cm) and is supplied with the 8717 air duct housing.

Duct Width	Sampling Tube Model No.
9" to 1'9" (21 cm to 51 cm)	8932
1'9" to 3'3" (51 cm to 97.5 cm)	8933
3'3" to 6'3" (97.5 cm to 187.5 cm)	8934
6'3" to 9'9" (187.5 cm to 292.5 cm)	8935
Greater than 9'9" (292.5 cm)	Consult FARADAY Technical Support

Dimensions



Sampling Tube Selection Table

Maintenance of the detector is easily accomplished by the removal of the duct housing sampling chamber cover. The detector, which plugs into the housing, is easily removed for cleaning by a trained technician.

All that is necessary for the installation of the air duct detector is the cutting of three small holes for the sampling tube installation (template included) and the drilling of four holes for mounting the air duct housing. The unit is then easily mounted in place and connection made to the existing wires or terminals if optional accessories are utilized.

Note to Architect: When building codes regulate the location of detectors within ventilating systems, make sure that the number and locations of detectors is in accordance with the code regulations.

Note: The 8717 air duct housing is used with 8710 & 8713 detectors on the MPC-6000 & 7000 control panel when a relay is required in the housing. If no relay is required, use the 8840 housing.

Ordering Information

Model	Description	Part No.
8717	Air duct housing equipped with remote relay	500-033280FA
8713	Intelligent FireSmart™ Detector	500-033290FA
8710	Photo Detector	500-034800FA
8932	Sample Tube, for ducts 9" to 1'9"	500-684360FA
8933	Sample Tube, for ducts 1'9" to 3'3"	500-684361FA
8934	Sample Tube, for ducts 3'3" to 6'3"	500-684362FA
8935	Sample Tube, for ducts 6'3" to 9'9". Sampling Tubes greater than 9'9", consult FARADAY	500-684363FA
8727C	Remote (red) alarm indicator -4" octagon box mount	500-033230FA
8727W	Remote (red) alarm indicator single gang box mount	500-033310FA



Siemens Building Technologies, Inc.
 8 Fernwood Road • Florham Park, NJ 07932
 Tel: (973) 593-2600 • Fax: (973) 593-6670
 Web: www.faradayfirealarms.com

WARNING - The information contained in this document is intended only as a summary and is subject to change without notice. The devices described in this document have specific instruction sheets which cover various technical, limitation and liability information. Copies of these instruction sheets and the General Product Warning and Limitations Document, which also contains important information, are provided with the product and are available from the Manufacturer. Information contained in these documents should be consulted before specifying or using the product. For further information or assistance concerning particular problems contact the Manufacturer.