



Sinorix™ Engineered Fire Suppression Systems

Pressure-Operated Switch Model CPY- POS

ARCHITECT AND ENGINEER SPECIFICATIONS

- Used for sending a signal to a fire-alarm control panel when Sinorix™ system is manually released
- Operated only by pressure of Sinorix™ system discharge
- Can perform shutdown / interlock functions directly
- Connected anywhere in discharge piping
-  UL Listed &  ULC Listed
CSFM, FM & NYMEA Approved



Description

The pressure-operated switch is of 3-pole, double-throw type, and is activated by the Sinorix™ Agent pressure in the system-discharge piping at the time of agent release. The pressure-operated switch shall be used to signal the fire-alarm control panel when discharge occurs, so the panel will perform its assigned shutdown/interlock functions in the event of manual mechanical release of the system.

The pressure-operated switch, if desired, can also be used to perform shutdown/interlock functions directly. Actuating pressure is obtained from the outlet of a tee located anywhere in the discharge piping. Connection from the tee to the pressure switch can be made with any of the following:

- ¼-inch O.D. copper tubing
- 1/8-or-1/4-inch schedule 40-pipe and 300-pound-class malleable iron or ductile iron fittings

As an option, the pressure-operated switch may be connected to the port marked M on the Sinorix™ cylinder valve. The maximum length of connecting tubing or pipe shall either be:

- 50 feet for the 1" or 1-1/2" valve
- 30 feet for the 2-1/2" or 4" valve

Pressure-Operated Switch

A pressure-operated switch shall be provided to operate upon actual discharge of Sinorix™ Agent into the system piping. The pressure-operated switch shall be connected to the fire-alarm control panel in order to perform its assigned shutdown/interlock functions in the event of manual mechanical release of the system.

Ordering Information

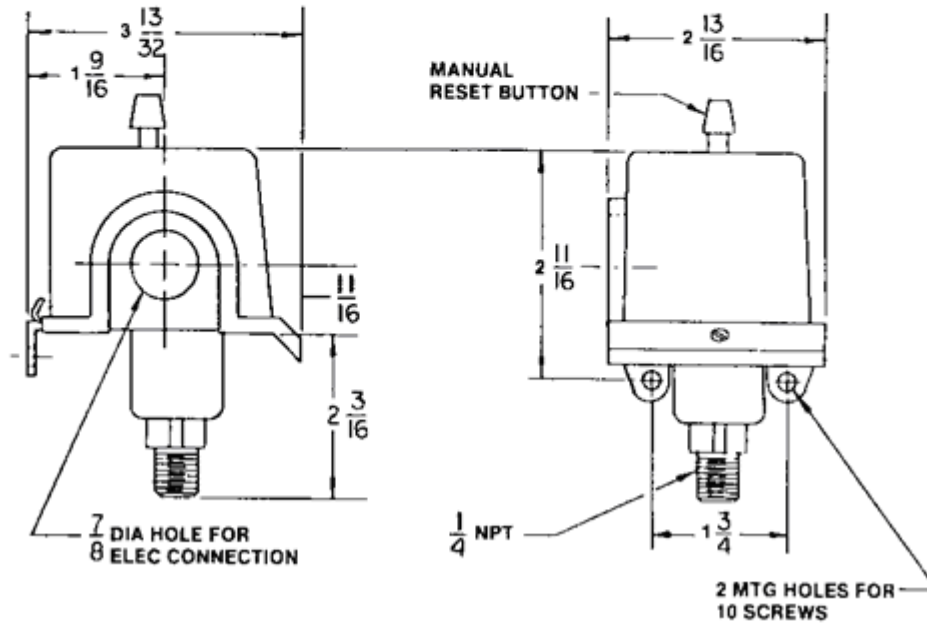
| Model Number | Part Number | Description | Shipping Lbs. | Weight Kg. |
|--------------|--------------|--------------------------|---------------|------------|
| CPY-POS | 500-697941BG | Pressure-Operated Switch | 2 | 0.9 |

CATALOG NUMBER 6626

Mounting Data

Notes:

1. Switch may be mounted in any position, but preferred installation is upright - as shown.
2. Any load connected to the switch must not exceed switch rating, and shall utilize a suitable protection device. (ie., circuit breaker, fuse)
3. Electrical Rating: 15 Amp 125/250 VAC
Switch: SPDT Snap Action
Contacts: One-N.O., One-N.C.



Notice: This marketing catalog sheet is not intended to be used for system design or installation purposes. For the most up-to-date information, refer to each product's installation instructions.